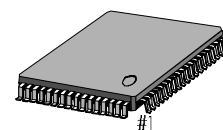


INTRODUCTION

As a pre-signal & servo signal processor for the DISC-MAN, S1L9225X is a low voltage, low consumption current IC that can read CD-RW, and CD-R discs and can be applied to various products, such as the CDP/VCD/CD-MP3 for the DISC-MAN. It is a hard-wired free-adjustment servo, which automatically controlled the control point of the pre-signal portion.

64-LQFP-1010



FEATURES

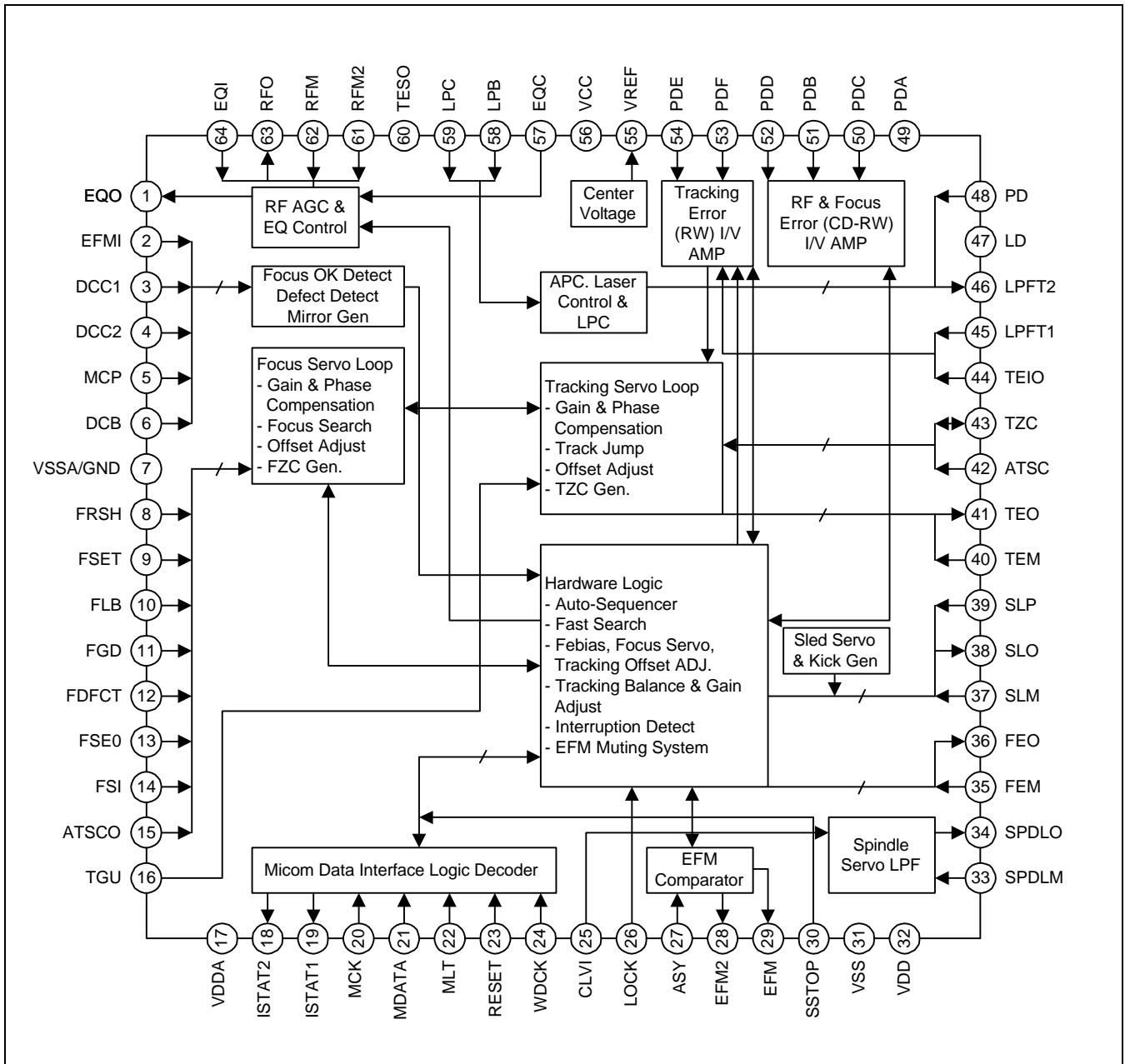
- RF amplifier (CD, CD-R, CD-RW applicable)
- Gain setting & monitoring for the CD-R, CD-RW DISC
- Focus error amp & Febias adjustment
- Tracking error amp & balance, gain adjustment
- FOK, defect, mirror detect
- Center voltage amplifier
- APC (Automatic Power Control)
- APC laser controller (Controlled by Tracking Summing Signal)
- RF AGC & EQ control (AGC Level Control Compatible)
- Enhanced EFM slice (Double Asymmetry Method)
- Focus servo loop & offset adjustment
- Tracking servo loop & offset adjustment
- Sled servo loop
- Spindle servo loop
- Auto-sequence
- Fast search mode (1 - 36000 track jump)
- Interruption countermeasure
- Focus & Tracking servo muting controlled by EFM duty check
- RF peaking prevention system by EFM duty check
- Focus, tracking, spindle loop pole move option
- Operating voltage 2.7V — 3.3V
- Power saving mode

<Notice> LPC Control used by side beam signal, it related to pick-up assurance.
When used pick-up, the specification is present extra.

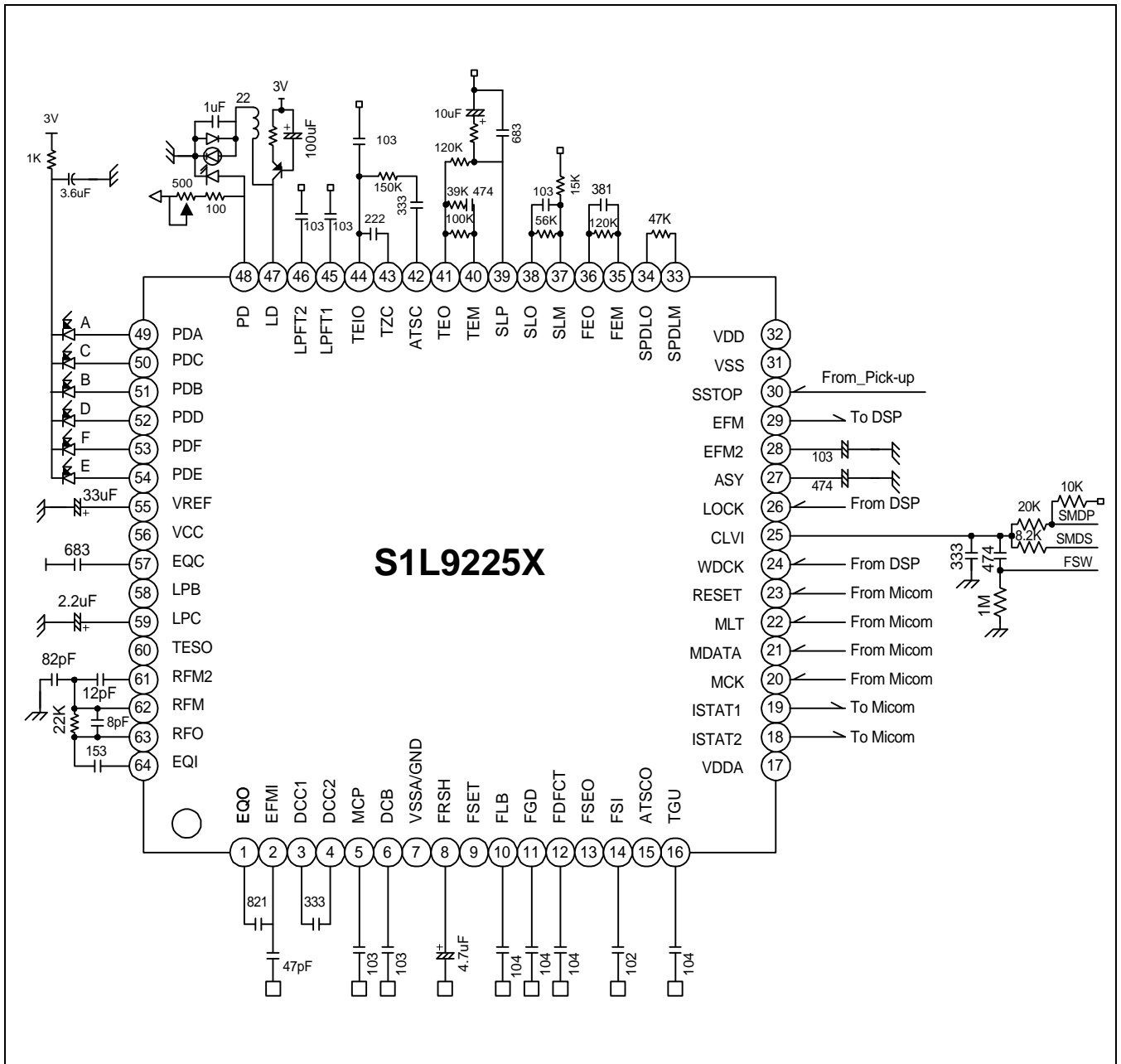
ORDERING INFORMATION

Device	Package	Supply Voltage	Operating Temperature
S1L9225X01—Q0R0	64-LQFP-1414	2.7V — 3.3V	-20°C — +75°C

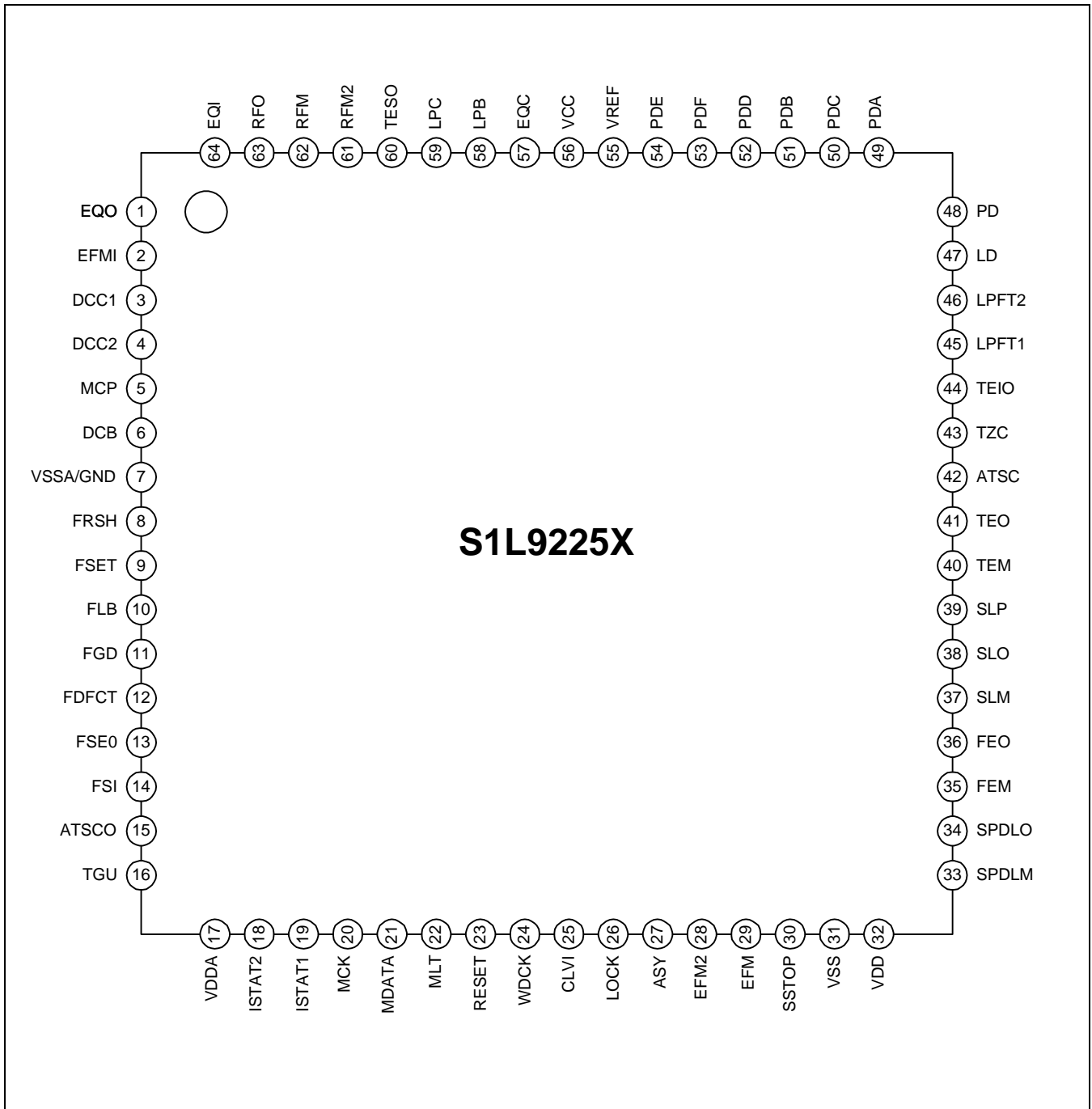
BLOCK DIAGRAM



APPLICATION DIAGRAM



PIN CONFIGURATION



PIN DESCRIPTION

Table 1. Pin Description

Pin No	Symbol	I/O	Description
1	EQO	O	RF equalizer output
2	EFMI	I	EFM slice input. (input impedance 47K)
3	DCC1	O	Time constant connection output to detect defects
4	DCC2	I	Time constant connection input to detect defects
5	MCP	I	CAP connection terminal for mirror hold
6	DCB	I	CAP terminal to limit defect detection
7	VSSA/GND	G	RF, servo ground
8	FRSH	I	CAP connection terminal for focus search
9	FSET	I	Filter bias for focus, tracking, spindle
10	FLB	I	CAP terminal to make focus loop rising low band
11	FGD	I	Terminal to change the high frequency gain of the focus loop
12	FDFCT	I	CAP connection terminal to integrate the focus error
13	FSEO	O	Focus error output
14	FSI	I	Focus servo input
15	ATSCO	O	Shock level detect output (shock: L: state)
16	TGU	I	Time constant connection to change the high frequency gain of the tracking loop.
17	VDDA	P	Power supply for the servo
18	ISTAT2	O	Internal status output pin (FOK, TRCNT)
19	ISTAT1	O	Internal status output pin
20	MCK	I	Micom clock pin
21	MDATA	I	Data input pin
22	MLT	I	Data latch input pin
23	RESET	I	Reset input pin
24	WDCK	I	88.2kHz input terminal from DSP
25	CLVI	I	Control output input terminal of DSP spindle
26	LOCK	I	Sled run away prevention pin (L: sled off and tracking gain up)
27	ASY	I	Auto asymmetry control input terminal
28	EFM2	O	Output for EFM pulse integration
29	EFM	O	EFM output terminal for RFO slice (to DSP)
30	SSTOP	I	PICK UP's maximum lead-in diameter position check pin
31	VSS	G	Digital ground
32	VDD	P	Digital power

Table 1. Pin Description (Continued)

Pin No	Symbol	I/O	Description
33	SPDLM	I	Spindle amp inverting input pin
34	SPDLO	O	Spindle amp output pin
35	FEM	I	Focus servo amp inverting input pin
36	FEO	O	Focus servo amp output pin
37	SLM	I	Sled servo inverting input
38	SLO	O	Sled servo output
39	SLP	I	Sled servo non inverting input
40	TEM	I	Tracking servo amp inverting input pin
41	TEO	O	Tracking servo amp output pin
42	ATSC	I	Anti-shock input pin
43	TZC	I	Tracking zero crossing input pin
44	TEIO	B	Tracking error output & tracking servo input pin
45	LPFT1	I	Tracking error integration input terminal 1 (automatic control)
46	LPFT2	I	Tracking error integration input terminal 2 (automatic control)
47	LD	O	APC AMP output pin
48	PD	I	APC AMP input pin
49	PDA	I	Photo-diode A/C RF I/V amp1 inverting input pin
50	PDB	I	Photo-diode B/D RF I/V amp2 inverting input pin
51	PDC	I	Photo-diode A/C RF I/V amp1 inverting input pin
52	PDD	I	Photo-diode B/D RF I/V amp2 inverting input pin
53	PDF	I	Photo-diode F with tracking (F) I/V amp inverting input pin
54	PDE	I	Photo-diode E with tracking (E) I/V amp inverting input pin
55	VREF	O	(VCC+GND)/2 voltage reference output pin
56	VCC	P	RF part VCC power supply pin
57	EQC	I	AGC_ equalize level control terminal and VCA input connection cap terminal
58	LPB	I	Laser power level control resistance terminal
59	LPC	I	Laser power control tracking summing signal integration terminal
60	TESO	O	Tracking error summing signal
61	RFM2	I	RF summing amp 2x filter on/off
62	RFM	I	RF summing amp inverting input terminal
63	RFO	O	RF summing amp output terminal
64	EQI	I	RFO dc control input terminal (use by MIRROR, FOK, AGC&EQ terminals)

MAXIMUM ABSOLUTE RATINGS

Item	Symbol	Rating	Unit
Power supply voltage	V_{DD}	-0.3 — 5.5	V
Input supply voltage	V_I	-0.3 — $V_{DD} + 0.3$	V
Operating temperature	T_{OPR}	-20 — 75	°C
Storage temperature	T_{STG}	-40 — 125	°C

ELECTRICAL CHARACTERISTICS

Table 2. Electrical Characteristics

No.	Inspection Items	Symbols	Inspection Block	Spec			Unit
1	Supply current 2.7V	ICCTY		6	10	14	mA
2	RF AMP offset voltage	Vrfo	RF AMP	-85	0	+85	mV
3	RF AMP oscillation voltage	Vrfosc		0	50	100	mV
4	RF AMP voltage gain AC	Grfac		16.2	14.7	17.7	dB
5	RF AMP voltage gain BD	Grfbd		16.2	14.7	17.7	dB
6	RF RHD characteristic	Rfthd		-	-	5	%
7	RF AMP maximum output voltage	Vrfh		2.35	-	-	V
8	RF AMP minimum output voltage	Vrfl		-	-	0.85	V
9	RF CDRW gain AC1	GRWAC1		5.5	7.7	9.9	-
10	RF CDRW gain AC2	GRWAC2		11.0	13.1	16.2	-
11	RF CDRW gain AC3	GRWAC3		18.0	21.3	24.6	-
12	RF CDRW gain BD1	GRWBD1		5.5	7.7	9.9	-
13	RF CDRW gain BD2	GRWBD2		11.0	13.1	16.2	-
14	RF CDRW gain BD3	GRWBD3		18.0	21.3	24.6	-
15	RF IVSEL connection AC	RFSELAC		24	47	70	kΩ
16	RF IVSEL connection BD	RFSELBD		24	47	70	kΩ
17	RF AMP offset conversion 1	Vrfoff1		0	-100	-200	mV
18	RF AMP offset conversion 2	Vrfoff2		-100	-200	-300	mV
19	Focus error offset voltage	VFE01		Focus Error Amplifier	-525	-250	-50
20	Focus error auto voltage	VFE02	-35		0	+35	mV
21	ISTAT state after FEBIAS control	VISTAT1	2.5		-	-	V
22	Focus ERROR voltage gain 1	GFEAC	18		21	24	dB
23	Focus ERROR voltage gain 2	GFEBD	18		21	24	dB
24	Focus ERROR voltage gain difference	ΔGFE	-3		0	+3	dB
25	Focus ERROR AC difference	VFEACP	0		50	100	mV
26	FERR maximum output voltage H	VFEPPH	2.3		-	-	V
27	FERR minimum output voltage L	VFEPLL	-		-	0.4	V
28	AGC max gain	GAGC	AGC_Equalize	16	19	22	dB
29	AGC EQ gain	GEQ		0	1	2	dB
30	AGC normal gain	GAGC2		3	6	9	dB
31	AGC compress ratio	CAGC		0	2.5	5	dB
32	AGC frequency	FAGC		-1.5	0	2.5	dB

Table 2. Electrical Characteristics (Continued)

No.	Inspection Items	Symbols	Inspection Block	Spec			Unit
33	TERR sum voltage gain SF	GTSF	Tracking Error Amplifier	16.5	19.5	22.5	dB
34	TERR sum voltage gain SE	GTSE		16.5	19.5	22.5	dB
35	TERR sum voltage gain S2	GTS2		22.5	25.5	28.5	dB
36	TERR gain voltage gain 1	GTEF1		-1.5	0.5	2	dB
37	TERR gain voltage gain 2	GTEF2		1	1.7	2.4	-
38	TERR gain voltage gain 3	GTEF3		1	1.3	1.6	-
39	TERR gain voltage gain 4	GTEF4		1	1.45	1.9	-
40	TERR gain voltage gain 5	GTEF5		1	1.55	2.1	-
41	TERR gain voltage gain 6	GTEF6		1	1.45	1.9	-
42	TERR gain voltage gain 7	GTEF7		1	1.45	1.9	-
43	TERR balance gain	GTEE		10.5	13.5	16.5	dB
44	TERR balance mode 1	TBE1		1.0	1.05	1.1	-
45	TERR balance mode 2	TBE2		1.0	1.05	1.1	-
46	TERR balance mode 3	TBE3		1.0	1.05	1.1	-
47	TERR balance mode 4	TBE4		1.0	1.25	1.5	-
48	TERR balance mode 5	TBE5		1.0	1.20	1.4	-
49	TERR balance mode 6	TBE6		1.0	1.3	1.75	-
50	TERR EF voltage gain difference	Δ GTEF		10.0	13.0	16.0	dB
51	TERR maximum output voltage H	VTPPH		2.0	-	-	V
52	TERR maximum output voltage L	VTPPL		-	-	0.7	V
53	APC PSUB voltage L	APSL	APC & Laser Control	-	-	1.0	V
54	APC PSUB voltage H	APSH		2.0	-	-	V
55	APC PSUB LDOFF	APSL0F		2.2	-	-	V
56	APC current drive H	ACDH		1.35	-	-	V
57	APC current drive L	ACDL		-	-	1.35	V
58	LPC RF differential 1	LPRF1		0.4	0.5	0.6	V
59	LPC RF differential 2	LPRF2		0.4	0.5	0.6	V
60	LPC TE differential	LPTE	0.4	0.5	0.6	V	
61	MIRROR minimum operating frequency	FMIRB	MIRROR	-	550	900	HZ
62	MIRROR maximum operating frequency	FMIRP		30	75	-	kHz
63	MIRROR AM characteristic	FMIRA		-	400	600	HZ
64	MIRROR minimum input voltage	VMIRL		-	0.1	0.2	V
65	MIRROR maximum input voltage	VMIRH		1.8	-	-	V

Table 2. Electrical Characteristics (Continued)

No.	Inspection Items	Symbols	Inspection Block	Spec			Unit
66	FOK threshold voltage	VFOKT	FOK	-420	-360	-300	mV
67	FOK output voltage H	VFOHH		2.2	-	-	V
68	FOK output voltage L	VFOKL		-	-	0.5	V
69	FOK FEEQ. characteristic	FFOK		40	45	50	kHz
70	Defect bottom voltage	FDFCTB	Defect	-	670	1000	HZ
71	Defect CUTOFF voltage	FDFCTC		2.0	4.7	-	kHz
72	Defect minimum input voltage	VDFCTL		-	0.3	0.5	V
73	Defect maximum input voltage	VDFCTH		1.8	-	-	V
74	Normal EFM duty voltage 1	NDEFMN	EFM Slice	-50	0	+50	mV
75	Normal EFM duty symmetry	NDEFMA		0	5	10	%
76	Normal EFM duty voltage 3	NDEFMH		0	+50	+100	mV
77	Normal EFM duty voltage 4	NDEFML		-100	-50	0	mV
78	Normal EFM minimum input voltage	NDEFMV		-	-	0.12	V
79	Normal EFM duty difference 1	NDEFM1		30	50	70	mV
80	Normal EFM duty difference 2	NDEFM2		30	50	70	mV
81	EFM2 duty voltage 1	EDEFMN1	Enhanced EFM Slicer	-50	0	+50	mV
82	EFM2 duty voltage 2	EDEFMN2		-50	0	+50	mV
83	EFM2 duty symmetry	EDEFMA		0	5	10	%
84	EFM2 duty voltage 3	EDEFMH1		0	+50	+100	mV
85	EFM2 duty voltage 4	EDEFMH2		0	+60	+120	mV
86	EFM2 duty voltage 5	EDEFML1		-100	-50	0	mV
87	EFM2 duty voltage 6	EDEFML2		-120	-60	0	mV
88	EFM2 minimum input voltage	EDEFMV		-	-	0.12	V
89	FZC threshold voltage	VFZC	Interface	35	69	100	mV
90	ANTI-shock detection H	VATSCH		7	32	67	mV
91	ANTI-shock detection L	VATSCL		-67	-32	-7	mV
92	TZC threshold voltage	VTZC		-30	0	+30	mV
93	SSTOP threshold voltage	VSSTOP		-100	-65	-30	mV
94	Tracking gain win T1	VTGWT1		200	250	300	mV
95	Tracking gain win T2	VTGWT2		100	150	200	mV
96	Tracking gain win I1	VTGWI1		250	300	350	mV
97	Tracking gain win I2	VTGWI2		150	200	250	mV
98	Tracking BAL win T1	VTGW11		-50	0	+50	mV
99	Tracking BAL win T2	VTGW12		-40	0	+40	mV

Table 2. Electrical Characteristics (Continued)

No.	Inspection Items	Symbols	Inspection Block	Spec			Unit
100	VFRSH voltage	VFRSH	Interface	0.35	0.5	0.65	V
101	Reference voltage	VREF		-100	0	+100	mV
102	Reference current H	IREFH		-100	0	+100	mV
103	Reference current L	IREFL		-100	0	+100	mV
104	F. Servo off offset	VOSF1	Focus Servo	-100	0	+100	mV
105	F. Servo DAC on offset	VOSF2		0	+250	+550	mV
106	F. Servo auto offset	VAOF		-65	0	+65	mV
107	F. Servo auto ISTAT	VISTAT2		2.3	-	-	V
108	FERR FEBIAS status	VFEBIAS		-50	0	+50	mV
109	F. Servo loop gain	GF		19	21.5	24	dB
110	F. Servo output voltage H	VFOH		2.2	-	-	V
111	F. Servo output voltage L	VFOL		-	-	0.5	V
112	F. Servo oscillation voltage	VFOSC		0	+100	+185	mV
113	F. Servo feed through	GFF		-	-	-35	dB
114	F. Servo search voltage H	VFSH		+0.35	+0.50	+0.65	V
115	F. Servo search voltage L2	VFSH2		+0.20	+0.25	+0.30	V
116	F. Servo search voltage H2	VFSL2		-0.30	-0.50	-0.20	V
117	F. Servo search voltage L	VFSL		-0.65	-0.50	-0.35	V
118	Focus full gain	GFSFG		40.0	42.5	45.0	dB
119	F. Servo AC gain 1	GFA1		19.0	23.0	27.0	dB
120	F. Servo AC phase 1	PFA1		30	60	90	deg
121	F. Servo AC gain 1	GFA2		14.0	18.5	23.0	dB
122	F. Servo AC phase 1	PFA2		30	60	90	deg
123	F. Servo muting	GMUTT		-	-	-15	dB
124	F. Servo AC characteristic 1	GFAC1	0.75	0.85	0.95	-	
125	F. Servo AC characteristic 2	GFAC2	0.68	0.78	0.88	-	
126	F. Servo AC characteristic 3	GFAC3	0.60	0.70	0.80	-	
127	F. Servo AC characteristic 4	GFAC4	0.68	0.78	0.88	-	
128	F. Servo AC characteristic 5	GFAC5	0.94	1.04	1.14	-	
129	F. Servo AC characteristic 6	GFAC6	0.73	0.83	0.93	-	
130	T. Servo DC gain	GTO	Tracking Servo	13.0	15.5	17.75	dB
131	T. Servo off offset	VOST1		-100	0	+100	mV
132	T. Servo DAC offset	VTDAC		150	320	550	mV
133	T. Servo on offset	VOST2		-250	0	+250	mV

Table 2. Electrical Characteristics (Continued)

No.	Inspection Items	Symbols	Inspection Block	Spec			Unit
134	T. Servo auto offset	VTAOF	Tracking Servo	-50	0	+50	mV
135	T. Servo oscillation	VTOSC		0	+100	+185	mV
136	T. Servo atsc gain	GATSC		17.5	20.5	23.5	dB
137	T. Servo lock gain	GLOCK		17.5	20.5	23.5	dB
138	T. Servo gain up	GTUP		17.5	20.5	23.5	dB
139	T. Servo output voltage H	VTSH		2.2	-	-	V
140	T. Servo output voltage L	VTSL		-	-	0.5	V
141	T. Servo jump H	VTJH		0.35	0.5	0.65	V
142	T. Servo jump L	VTJL		-0.65	-0.5	-0.35	V
143	T. Servo dirc H	VDIRCH		0.35	0.5	0.65	V
144	T. Servo DIRC L	VDIRCL		-0.65	-0.5	-0.35	V
145	T. Servo output voltage L	GTFF		-	-	-39	dB
146	T. Servo AC gain 1	GTA1		9.0	12.5	16.5	dB
147	T. Servo AC phase 1	PTA1		-140	-115	-90	deg
148	T. Servo AC gain 1	GTA2		17.5	21.5	25.5	dB
149	T. Servo AC phase 1	PTA2		-195	-150	-100	deg
150	T. Servo full gain	GTFG		29.5	32	34.75	dB
151	T. Servo AC characteristic1	GTAC1		0.59	0.69	0.90	-
152	T. Servo AC characteristic2	GTAC2		0.75	0.85	0.95	-
153	T. Servo AC characteristic3	GTAC3		0.65	0.75	0.85	-
154	T. Servo AC characteristic4	GTAC4		1.30	1.35	1.50	-
155	T. Servo AC characteristic5	GTAC5		1.15	1.25	1.35	-
156	T. Servo AC characteristic6	GTAC6		1.01	1.11	1.21	-
157	T. Servo loop mutt	TSMUTT		-250	0	+250	mV
158	T. Servo loop mutt AC	TSMTAC		0	+50	+100	mV
159	T. Servo int mutt M1	TSMTM1		0	+50	+100	mV
160	T. Servo int mutt M2	TSMTM2		0	+50	+100	mV
161	T. Servo int mutt M3	TSMTM3	0	+50	+100	mV	
162	SL. Servo DC gain	GSL	Sled Servo	10.5	12.5	14.5	dB
163	SL. Servo feed through	GSLF		-	-	-34	dB
164	SL. Servo offset	VSLOFF		-100	0	+100	mV
165	Sled forward kick	VSKH		0.45	0.60	0.75	V
166	Sled reverse kick	VSKL		-0.75	-0.60	-0.45	V
167	Sled output voltage H	VSLH		2.2	-	-	V

Table 2. Electrical Characteristics (Continued)

No.	Inspection Items	Symbols	Inspection Block	Spec			Unit
168	Sled output voltage L	VSLL	Sled Servo	-	-	0.5	V
169	Sled lock off	VSLOCK		-100	0	100	mV
170	SP. Servo 1X gain	GSP	CLV Servo	14.0	16.5	19.0	dB
171	SP. Servo 2X gain	GSP2		19.5	23.0	27.0	dB
172	SP. Servo output voltage H	VSPH		2.2	-	-	V
173	SP. Servo output voltage L	VSPL		-	-	0.5	V
174	SP. Servo AC gain 1	GSPA1		-7.0	-3.5	0	dB
175	SP. Servo AC phase 1	PSPA1		-120	-90	-60	deg
176	SP. Servo AC gain 2	GSPA2		5.5	9.0	12.5	dB
177	SP. Servo AC phase 2	PSPA2		-110	-80	-50	deg

OPERATION DESCRIPTION

MICOM COMMAND

\$0X, \$1X

Item	Address				Data				Istat Output
	D7	D6	D5	D4	D3	D2	D1	D0	
Focus control	0	0	0	0	FS4 Focus on	FS3 Gain down	FS2 Search on	FS1 Search up	FZC
Tracking control	0	0	0	1	Anti - shock	Brake - on	TG2 Gain set	TG1 Gain set	ATSC

Tracking Gain Setting According to Anti-Shock

D7	D6	D5	D4	D3		D2		D1		D0		Istat
				ANTI - shock		Lens. Brake - on		TG2 (D3 = 1)		TG1		ATSC
				0	1	0	1	0	1	0	1	
0	0	0	1	ANTI - shock off	ANTI - shock on	Lens brake off	Lens brake on	High - Freq. gain down	High - Freq. gain normal	Gain normal	Gain up	

Item	Hex	AS = 0		AS = 1	
		TG2	TG1	TG2	TG1
Tracking gain control TG1. TG2 = 1 → gain up	\$10	0	0	0	0
	\$11	0	1	0	1
	\$12	1	0	1	0
	\$13	1	1	1	1
	\$14	0	0	0	0
	\$15	0	1	0	1
	\$16	1	0	1	0
	\$17	1	1	1	1
\$13, \$17, \$1B, \$1F (AS0) \$13, \$17, \$18, \$1C (AS1) MIRROR muting turns off when the tracking gain goes up	\$18	0	0	1	1
	\$19	0	1	1	0
	\$1A	1	0	0	1
	\$1B	1	1	0	0
	\$1C	0	0	1	1
	\$1D	0	1	1	0
	\$1E	1	0	0	1
	\$1F	1	1	0	0

\$2X

D7	D6	D5	D4	D3		D2		D1		D0		Istat
0	0	1	0	Tracking Servo Mode				Sled Servo Mode				
Operation of mode (TM1-TM7)				MODE	TM7	TM6	TM5	TM4	TM3	TM2	TM1	TZC
TM1				\$20	1	0	1	0	1	1	0	
0	Track. servo off			\$21	1	0	1	0	1	0	0	
1	Track. servo on			\$22	1	0	0	0	1	1	0	
TM2				\$23	1	1	1	0	1	1	0	
0	Sled. servo on			\$24	1	0	1	0	1	1	1	
1	Sled. servo off			\$25	1	0	1	0	1	0	1	
TM4	TM3	Track. kick		\$26	1	0	0	0	1	1	1	
0	0	Fwd. jump		\$27	1	1	1	0	1	1	1	
0	1	Jump off		\$28	1	0	1	0	0	1	0	
1	1	Rev. jump		\$29	1	0	1	0	0	0	0	
TM6	TM5	Sled kick		\$2A	1	0	0	0	0	1	0	
0	0	Fwd kick		\$2B	1	1	1	0	0	1	0	
0	1	Kick off		\$2C	1	0	1	1	1	1	0	
1	1	Rev kick		\$2D	1	0	1	1	1	0	0	
TM7 (jump)				\$2E	1	0	0	1	1	1	0	
1	Lens brake on			\$2F	1	0	0	1	1	1	0	

DIRC (DIRECT 1 Track Jump) Tracking Condition

Item	Hex	DIRC = 1	DIRC = 0	DIRC = 1
		TM 654321	654321	654321
Tracking Mode	\$20	000000	001000	000011
	\$21	000010	001010	000011
	\$22	010000	011000	100001
	\$23	100000	101000	100001
	\$24	000001	000100	000011
	\$25	000011	000110	000011
	\$26	010001	010100	100001
	\$27	100001	100100	100001
	\$28	000100	001000	000011
	\$29	000110	001010	000011
	\$2A	010100	011000	100001
	\$2B	100100	101000	100001
	\$2C	001000	000100	000011
	\$2D	001010	000100	000011
	\$2E	011000	000100	100001
\$2F	101000	100100	100001	

Register \$3X

Address	Focus Search			Sled Kick			Tracking Jump			
	D11		D10	D9		D8	D7		D6	D5
0011	PS4 Search+2		PS3 Search+1	PS2 Kick+2		PS1 Kick+1	PS5 Jump+1		PS6 Jump 1/2	PS7 Jump 1/4
	D11	D10	Focus search	D9	D8	Sled Kick	D7	D6	D5	Tracking Jump
	0	0	1X (5u)	0	0	1X (10u)	0	0	0	0X (0u)
							0	0	1	0.25X (1.25u)
	0	1	2X (10u)	0	1	2X (20u)	0	1	0	0.50X (2.50u)
							0	1	1	0.75X (3.75u)
	1	0	3X (15u)	1	0	3X (30u)	1	0	0	1.00X (5.00u)
							1	0	1	1.25X (6.25u)
1	1	4X (20u)	1	1	4X (40u)	1	1	0	1.50X (7.50u)	
						1	1	1	1.75X (8.75u)	
Initial	0		0	0		0	1		0	0

Address	Focus Servo Gain				FSET				OffCK
D15-D12	D4		D3		D2		D1	D0	
0011	Focus Gain 60K		Focus Gain 120K		Fset1 9K		Fset2 18K	Febias, Focus servo Offset control clock 1: ON 0: off	
	D4	D3	\$08	\$0C	D2	D1	Equivalence Resistance		
	0	0	580K	180K	0	0	141K (535K)		
	0	1	460K	60K	0	1	122K (464K)		
	1	0	520K	120K	1	0	131K (498K)		
	1	1	400K	0K	1	1	113K (430K)		
Initial	0		0		1		1	1	

Select (First 8 bits of 16 bits)

D15	D14	D13	D12	D11	D10	D9	D8	Istat
0	0	1	1	Focus Servo Search Level Control		Sled Servo Kick Level Control		SSTOP
				PS4	PS3	PS2	PS1	
				Search +2	Search +1	Kick +2	Kick +1	
Data Mode (level)				Search X1	\$30XX-\$33XX	Kick X1	\$30XX, \$34XX, \$38XX, \$3CXX	
				Search X2	\$34XX-\$37XX	Kick X2	\$31XX, \$35XX, \$39XX, \$3DXX	
				Search X3	\$38XX-\$3BXX	Kick X3	\$32XX, \$36XX, \$3AXX, \$3EXX	
				Search X4	\$3CXX-\$3FXX	Kick X4	\$33XX, \$37XX, \$3BXX, \$3FXX	
Data				S.X1, K.X1	S.X2, K.X2	S.X3, K.X3	S.X4, K.X4	
				\$30XX	\$35XX	\$3AXX	\$3FXX	



Auto-Sequence Mode

Address				Data			
0	1	0	0	D3	D2	D1	D0
Auto-sequence cancel				0	0	0	0
Auto-focus				0	1	1	1
1-track jump				1	0	0	0: FWD 1: REV
10-track jump				1	0	1	
2N-track jump				1	1	0	
M-track jump				1	1	1	
Fast search				0	1	0	

Speed Related Command (\$F00, F03)

Address								Data			
D11	D10	D9	D8	D7	D6	D5	D4	D3	D2	D1	D0
1	1	1	1	0	0	0	0				
1X Speed (\$F00, \$F04, \$08, \$FOC)								x	x	0	0
2X Speed (\$F03, \$F07, \$F0B, \$F0F)								x	x	1	1

RAM Register Set

Table 1. RAM Register Set

Item		Data								
Address		D7	D6	D5	D4	D3	D2	D1	D0	
Blind A, E Overflow. C	\$50XX	0.18ms	0.09ms	0.04ms	0.02ms					
		BRAKE. B	0.36ms	0.18ms	0.09ms	0.04ms				
		FAST F	23.2ms	11.6ms	5.80ms	2.90ms				
		FAST K					0.72ms	0.36ms	0.18ms	0.09ms
INI.		1	0	0	0	1	0	0	0	
Control Register	\$51XX	PS3X	PSTZC	OFFS	FZCOFF	SBAD	GSEL	MCC1	MCC2	
		SSTOP on/off	TZC on/off	T. Window on/off	FZC on/off	Terr sum gain	CDRW- Win TGH	Mirror bottom	Mirror peak	
	0	Off	Off	Off	Off	DivideX2	400mV — 500 mV	1X	1X	
	1	On	On	On	On	Sum	200 mV — 300 mV	2X (Rec- ommend)	2X (Rec- ommend)	
INI.		1	1	1	1	1	0	0	0	
Control Register	\$52XX	MGA1	MGA2	MGA3	FGS1	FGS2	TGC1	TGC2	GEFM	
		Mirror gain1.5X	Mirror gain2X	Mirror bias S.	F. Servo DC gain	F. Servo AC gain	T. Servo AC gain	T. Servo DC gain	EFM. ASY gain sel	
	0	Normal	Normal	Off	Up	Up	Up	Normal	5X Normal	
	1	Up (recommend)	Up	Bias	Normal	Normal	Normal	Up	8X Up	
INI.		1	1	0	1	1	1	0	0	
Control Register	\$53XX	TZCS1	EC9	LIMITS	SPEAK	IVSEL	On/Off	TOCD	TRSTS	
		Trcnt, TZC sel	Track I. setting 3	C1-Flag SSTOP	44K, 88K sel.	Voltage current sel	EFM peaking	T. Servo offset C	T. Bal & gain reset	
	0	Trcnt	On	SSTOP	88K	Voltage	Off	Reset	Reset	
	1	TZC	Off	C1-Flag	44K	Current	On	Set	Set	
INI.		0	1	1	0	0	0	1	1	
Control Register	\$54XX	DSP3	DSP2	DSP1	ALOCK	Complete	TASY	EFMMODE	TZCRC	
		FlagHold 46.4ms	FlagHold 23.2ms	FlagHold 11.6ms	Lock On/Off	TRCNT complete	TES output	Double ASY meth.	TZC noise filter	
	0	0ms	0ms	0ms	Lock = 1	Duty repeat	F0K	ASY compen- sation	TZC Ori.	
	1	46.4ms	23.2ms	11.6ms	Lock 0, 1	Complete	TES	VREF	TZC Fil.	
INI.		1	0	0	1	1	1	1	0	

Table 1. RAM Register Set (Continued)

Item		Data							
Address		D7	D6	D5	D4	D3	D2	D1	D0
Control Register	\$55XX	FJTS	TCNT	Febias Offset Control					
		Fast search TEO output	Trcnt clock rate	Positive Offset			Negative Offset		
			MSB	10mv/step	LSB	MSB	10mv/step	LSB	
	0	T. Jump	1:1	Off	Off	Off	On	On	On
1	T. Mute	16:1	On	On	On	Off	Off	Off	
INI.		1	0	0	0	0	1	1	1

Item		DATA								
		D7		D5		D5		D4		
\$51XX	Function	PS3X	* SSTOP	PSTZC	* TZC	OFFS	* Tbal. Tgain	FZCOFF	* FZC	
		SSTOP ON/OFF	comparator ON/OFF	TZC ON/OFF	comparator ON/OFF	T.Window ON/OFF	comparator ON/OFF	FZC ON/OFF	comparator ON/OFF	
	0	OFF	* OFF 0 output	OFF	* Off 0 output	OFF	* Off 0 output	OFF	* Off 0	
	1	ON	* SSTOP input	ON		ON		ON	output	
	INI.	1	47K pull-up resistance	1		1		1		
			D3		D5		D5		D4	
	Function	SBAD	* TES output	GSEL	* TGH window	MCC1	* 2X Mirror	MCC2	* 2X Mirror	
		Terr sum gain	Control	CDRW-Win TGH	comparator input select	Mirror Bottom	detect strengthen	Mirror peak	detect strengthen	
	0	1X SUM		400mV — 500 mV		1X	2X	1X	2X	
	1	1.25X SUM		200 mV — 300 mV		2X	(recommend)	2X	(recommend)	
INI.	1		0		0		0			

Item		DATA								
		D7		D5		D5		D4		
\$52XX	Function	MGA1	* Mirror input	MGA2	* Mirror input	MGA3	* Mirror input	FGS1	* Focus servo	
		Mirror Gain1. 5X	voltage level select	Mirror Gain2X	voltage level select	Mirror Bias S.	Voltage level bias select	F.Servo DC Gain	DC Gain select	
	0	Normal	1:recommend	Normal	0: recommend	Off	UP			
	1	Up		UP		Bias	Normal			
	INI.	1		1		0	1			
			D3		D5		D5		D4	
	Function	FGS2	* Focus servo	MGA2	* Track servo	TGC2	* Track servo	GEFM	* EFM slice	
		F.Servo AC Gain	DC Gain select	Mirror Gain2X	DC Gain select	T.Servo DC Gain	DC Gain select	EFM. ASY Gain Sel	Asymmetry Loop gain select	
	0	UP		UP		Normal		5X Normal		
	1	Normal		Normal		UP		8X UP		
INI.	1		1		0		0			

Item		DATA							
		D7		D5		D5		D4	
\$53XX	Function	TZCS1	* Track count	EC9	*Tracking	LIMITS	* Pin 30	SPEAK	* F.Servo
		Trcnt, TZC Sel	clock select	Track l. Setting3	servo pole Freq. select	C1-Flag SSTOP	output select	44K, 88K Sel.	servo mute & EFM slice
	0	Trcnt		ON		SSTOP	0: SSTOP in	88K	Hold
	1	TZC		Off		C1-Flag	1: C1-Flag out	44K	judgment
INI.	0		1		1		0	clock select	
\$53XX	Function	IVSEL	* Voltage,	ON/OFF	* F.Servo.	TOCD	* Tracking	TRSTS	* T.Bal &
		Current voltage sel	Current pick-up	EFM peaking	T. servo mutt & EFM slice	T.Servo Offset C	servo offset value	T.Bal & Gainreset	T.Gain DAC value
	0	Voltage	Type select	Off	Hold using	Reset	reset	Reset	reset
	1	Current	mode setting	ON	control	Set	control	Set	control
	INI.	0		0		1		1	



Item		DATA						
		D7	D6	D5	Video-CD confrontation C1flag select signal	D4		
\$54XX	Function	DSP3	DSP2	DSP1	Defect, Cpeak C1flag control signal generator cycle select H: C1point 1, L: C1point 0	ALOCK		
		FlagHold 46.4ms	FlagHold 23.2ms	FlagHold 11.6ms		LOCK ON/OFF	According to Alock signal SSP lock control 0: LOCK=1 1: LOCK 0,1 by DSP	
	0	0	0	Only Defect Time				
	1	0	0	Defect + 11.6ms				
	2	0	1	0	Defect + 23.2ms			
	3	0	1	1	Defect + 34.8ms			
	4	1	0	0	Defect + 46.4ms			
	5	1	0	1	Defect + 58.0ms			
	6	1	1	0	Defect + 69.6ms			
	7	1	1	1	Defect + 81.2ms			
	INI.	1	0	0				
		D3		D5		D5		D4
Function	COMPLETE	* Trcnt count value for Micom move	TASY	* Pin 60 Output select	EFMMODE	* EFM mode Double ASY mode control	TZCRC	* Control by TZC Filter at Using TZC of Trcnt
	TRCNT complete		TES output		Double ASY meth.		TZC noise filter	
0	duty repeat		FOK		ASY requital		TZC Ori.	
1	complete		TES		VREF		TZC Fil.	
INI.	1		1	1		0		

Item		DATA							
		D7			D6				
\$55XX	Function	FJTS	* Tracking	TCNT	* Trcnt count				
		Fast search TEO output	servo output at fast search	Trcnt clock	clock rate at micom move				
	0	T.Jump		1:1					
	1	T.Mutt		16:1					
	INI.	1		0					
		D5	D4	D3		D2	D1	D0	
	Function	Febias Offset control							
		Positive Offset				Negative Offset			
		MSB	10mv/step	LSB	output offset	MSB	10mv/step	LSB	output offset
	0	0	0	0	0mV	0	0	0	-100mV
	1	0	0	1	+15mV	0	0	1	-90mV
		0	1	0	+30mV	0	1	0	-75mV
	0	1	1	+45mV	0	1	1	-60mV	
	1	0	0	+60mV	1	0	0	-45mV	
	1	0	1	+75mV	1	0	1	-30mV	
	1	1	0	+90mV	1	1	0	-15mV	
	1	1	1	+100mV	1	1	1	0mV	
INI.	0	0	0		1	1	1		

Address	HEX	D11	D10	D9	D8	D7	D6	D5	D4	D3	D2	D1	D0	
KICK D	\$6XXX	11.6ms	5.80ms	2.90ms	1.45ms									
FAST R		23.2ms	11.6ms	5.80ms	2.90ms									
PWM DUTY PD							8	4	2	1				
PWM WIDTH PW											11.0ms	5.43ms	2.71ms	1.35ms
	INI.	0	1	1	1	1	0	1	0	0	0	1	0	
2N TRA. N M TRA. M	\$7XXX	4096	2048	1024	512	256	128	64	32	16	8	4	2	
Fast search T	\$7XXX	16384	8192	4096	2048	1024	512	256	128	64	32	16	8	
		INI.	0	0	0	0	0	0	1	1	1	1	1	1
Brake point P	\$CXXX	16384	8192	4096	2048	1024	512	256	128	64	32	16	8	
		INI.	0	0	0	0	0	0	1	1	1	0	0	0
TRCNT count output complete	\$CXXX TCNT = 0					128	64	32	16	8	4	2	1	
	\$55XX TCNT = 1					2048	1024	512	256	128	64	32	16	
	INI.					1	1	0	0	0	1	1	1	
CLV on/off register	CLV on, EFM on \$99X1~\$99XF					X	X	X	X	X	X	X	1	
	CLV off, EFM off \$99X0					X	X	X	X	0	0	0	0	
	INI	1	0	0	1	X	X	X	X	0	0	0	0	
Notice.		<p>The actual value may be slightly different from the set value.</p> <p>A set value + 4 - 5 WDCK B, D, E set value + 3 WDCK C set value + 5 WDCK N, M, T, P set value + 3 TRCNT</p> <p>Caution</p> <ul style="list-style-type: none"> - Among the 16 settings of PWM WIDTH 'PW' only one from D3, D2, D1, and D0 can be selected. (not 4bit combination) - More than 512 tracks are not recommended when 2N track and M track are used. (algorithm possesses problem generation) - Because PWM DUTY 'PD' can have 1 - 2 errors, should be set to "set value + 2" - \$5XXX's I/V SEL command is (0: Voltage pick-up configuration, 1: Current type only) - T.RST - 0: Tracking servo offset DAC value RESET cancel, 1: Tracking servo offset DAC value RESET 												

AUTOMATIC CONTROL COMMAND

Tracking Balance and Gain Control

Address	Address				Data				Istat	Trcnt
	D7	D6	D5	D4	D3	D2	D1	D0		
Tracking BAL. \$800X - \$801X	0	0	0	B4	B3	B2	B1	B0	BAL	TRCNT
Initial V.				0	1	1	1	1		
Tracking Gain. \$810X - \$811X	0	0	0	G4	G3	G2	G1	G0	TGH	TGL
Initial V.				1	0	0	0	0		

Tracking Balance and Gain Control Window

Address	Data									Istat	Trcnt
	D7	D6	D5	D4	D3	D2	D1	D0			
	T. Gain	T. BAL	F.S.O.C	F.E.O.C	INTC	INTC2	INTC3	DSPMC			
\$84XX	Tracking gain control window		Tracking balance control window	F. Servo offset control	FE. Bias offset control	T. Servo cpeak mute	T. Servo mirror mute	F. Servo cpeak mute	C1 Falg defect ref.	\$841 (F.ERR) \$842 (F.SER)	TRCNT
	TRCNT	ISTAT	ISTAT								
0	250mV	200mV	-10 — 15mV	Off	Off	Off	Off	Off	0.54ms		
1	150mV	300mV	-20 — 20mV	On	On	On	On	On	0.73ms		
INITIAL	0		0	0	0	0	1	1	1		

APC (Automatic Power Control)

Address	Data							
	D7	D6	D5	D4	D3	D2	D1	D0
	LDON	LPCOFF	ALPC1	ALPC2	APCL1	APCL2	AHOLD	ASEL3
\$85XX	APC on/off	LPC laser control ON/OFF default (recommend)	Laser mediation control default (recommend)	Laser mediation control default (recommend)	Laser range control default (recommend)	Laser range control default (recommend)	Laser control hold default (recommend)	Laser control gain default (recommend)
0	On	Off	Off	Off	Off	Off	Hold	2X
1	Off	On	On	On	On	On	Off	1X
Initial	1	1	1	1	1	1	1	0

<Notice> Recommend default value (D6 $\frac{3}{4}$ D7)

Additional Register Set 1

Address	Data								
	D7	D6		D5	D4	D3	D2	D1	D0
	F.Ser.Reset	FOKSEL		MONITOR	FSOC	ASEL1	ASEL2	EQB	EQR
\$86XX	Focus servo offset control reset	Trcnt output sel (monitor:1) except at gain control (\$81XX) 0: FOK 1: TRCNT		Trcnt monitor select 1: FOK, TGL TRCNT 0:Test output	FERR. offset Focus offset control step time setting 0:46.0ms 1:5.80ms	Laser control source	Laser control source	AGC EQ	AGC gain up/normal
		D6	D5	ISTAT2					
		0	0	TEST					
		0	1	FOK(TGL)					
		1	0	TEST					
		1	1	TRCNT(TGL)					
0	RESET	FOK		TEST	46ms/step	1/2 EQI	EQI	12uA	Up-13K
1	SET	TRCNT		FOK, TRCNT, TGL	5.8ms/step	1/3 EQI	TES	20uA	Nor-7K
INITIAL	1	1		1	1	1	0	0	1
	TRCNT select is selected by the MONITOR (D1). With the tracking gain control command (\$81XX), TGL is output, and the remaining becomes FOK if they are 0 from the FOKSEL bit. If they are 1, COUT is output to TRCNT. D5 bit priority over D6 bit, it related ISTAT2 output.								

Additional Register Set 2

Address	Data								
	D7	D6	D5	D4	D3	D2	D1	D0	-
	DIRC	RSTS	AGCL2	AGCL1	EFMBC	MT2	MT1	MT0	-
\$87XX	DIRC control	Febias reset	AGC size control D5 D5, D4 0 0 1.6V 0 1 1.45V 1 0 1.25V 1 1 1.0V * Recom mend D5 D4 1 1		EFM double ASY. revision	0	0	0	FSDFACT
						0	0	1	Fecmpo
						0	1	0	Defect
						0	1	1	Mirror
						1	0	0	Cpeak
						1	0	1	Dfctint
						1	1	0	BALH
						1	1	1	BALL
0	Enable	Reset	On	On	Off				
1	Disenable	Set	Off	Off	On				
Initial V.	1	1	0	0	0	1	1	1	

\$8EXX Focus & Tracking Servo Filter Control Command

Address	Data							
	D7	D6	D5	D4	D3	D2	D1	D0
\$8EXX	Track. S Freq. movement 0: low frequency 1: high frequency)		F. Servo Phase shift 0: low frequency 1: high frequency			CLV Freq. movement 0: low frequency 1: high frequency		
0	On	On	On	On	On	On	On	On
1	Off	Off	Off	Off	Off	Off	Off	Off
Initial V.	1	0	1	1	0	1	1	0

\$8FXX Tracking Servo Offset Control Command

Address	Data							
	D7	D6	D5	D4	D3	D2	D1	D0
\$8F00 — \$8F1F	X	X	X	Tracking servo offset control command 8F(000XXXXX) \$8F1F → \$8F00 (-160mV → +160mV) Control window is used with the balance window and monitors the ISTAT output Because tracking offset of approximately +30mV - +50mV is ideal in the system, consider the control setting by raising to (\$8F1F → \$8F00) 3 - 5 steps after controlling the offset to 0mV. <Notice> Consider the measure setting by \$8010 command of tracking switch and \$811F command of tracking gain switch after \$24 command.				
Initial V.	0	0	0	1	0	0	0	0

Photo-Diode I/V AMP Gain Setting for CD-R and CD-RW

Address	DATA									
	D7	D6	D5	D4	RF & FERRGAIN		RFO ONLYGAIN		RFO TOTAL	
	RWC1 1.0X	RWC2 1.5X	RWC3 2.0X	RWC4 1.25X	I/V AMP Equivalence	Input resistance at 55K GAIN	RWC4 Summing resistance	RFO Feed resistance rate 22K	RFO loop total	
\$82XX	RFO & Focus error gain			RFO only	1 stage GAIN		2 stage GAIN		ROF total	compared with OF
0E	1	1	1	0	58.5K	1.06	10K	22K/10K=2.2	9.33	1.00
0F	1	1	1	1	58.5K	1.06	8K	22K/8K=2.75	11.66	1.25
06	0	1	1	0	91.5K	1.66	10K	22K/10K=2.2	14.61	1.56
07	0	1	1	1	91.5K	1.66	8K	22K/8K=2.75	18.26	1.96
0A	1	0	1	0	121.75K	2.21	10K	22K/10K=2.2	19.45	2.08
0B	1	0	1	1	121.75K	2.21	8K	22K/8K=2.75	24.31	2.60
02	0	0	1	0	154.75K	2.81	10K	22K/10K=2.2	24.73	2.65
03	0	0	1	1	154.75K	2.81	8K	22K/8K=2.75	30.91	3.31
0C	1	1	0	0	154.75K	2.81	10K	22K/10K=2.2	24.73	2.65
0D	1	1	0	1	154.75K	2.81	8K	22K/8K=2.75	30.91	3.31
04	0	1	0	0	187.75K	3.41	10K	22K/10K=2.2	30.00	3.21
05	0	1	0	1	187.75K	3.41	8K	22K/8K=2.75	37.51	4.02
08	1	0	0	0	218.00K	3.96	10K	22K/10K=2.2	34.84	3.73
09	1	0	0	1	218.00K	3.96	8K	22K/8K=2.75	43.56	4.66
00	0	0	0	0	251.00K	4.56	10K	22K/10K=2.2	40.33	4.32
01	0	0	0	1	251.00K	4.56	8K	22K/8K=2.75	50.16	5.37
0	up	up	up	normal	CD-RW mode set by 0, if more gain up set by 1 and gain value is more big set by 8.					
1	normal	normal	normal	up						
INITIAL	1	1	1	0						

Tracking Error CD-RW Mode Gain

Address	DATA									
	D3	D2	D1	D0	Tracking Error				RFO TOTAL	
	RWC6 1.0X	RWC7 1.5X	RWC8 2.0X	RWC9 1.5X	I/V AMP Equivalence resistance	Input resistance at 82K gain	RWC9 difference resistance	Tracking Feed resistance rate 22K	TERR LOOP TOTAL	
\$82XX	Tracking Error Gain			T.E diff- erence	1 stage GAIN		2 stage GAIN		Terr total	compared with OE
0F	1	1	1	0	391K	1.06	30K	96K/30K=3.2	9.33	2.00
0E	1	1	1	1	391K	1.06	15K	22K/15K=6.4	11.66	1.00
07	0	1	1	0	583K	1.66	30K	96K/30K=3.2	14.61	2.98
06	0	1	1	1	583K	1.66	15K	22K/15K=6.4	18.26	1.49
0B	1	0	1	0	786K	2.21	30K	96K/30K=3.2	19.45	4.02
0A	1	0	1	1	786K	2.21	15K	22K/15K=6.4	24.31	2.01
03	0	0	1	0	979K	2.81	30K	96K/30K=3.2	24.73	5.01
02	0	0	1	1	979K	2.81	15K	22K/15K=6.4	30.91	2.50
0D	1	1	0	0	979K	2.81	30K	96K/30K=3.2	24.73	5.01
0C	1	1	0	1	979K	2.81	15K	22K/15K=6.4	30.91	2.50
05	0	1	0	0	1171K	3.41	30K	96K/30K=3.2	30.00	6.00
04	0	1	0	1	1171K	3.41	15K	22K/15K=6.4	37.51	3.00
09	1	0	0	0	1374K	3.96	30K	96K/30K=3.2	34.84	7.03
08	1	0	0	1	1374K	3.96	15K	22K/15K=6.4	43.56	3.51
01	0	0	0	0	1567K	4.56	30K	96K/30K=3.2	40.33	8.02
00	0	0	0	1	1567K	4.56	15K	22K/15K=6.4	50.16	4.01
0	up	up	up	normal	CD-RW mode set by 0 (4.01X) if gain value more big setting by 8					
1	normal	normal	normal	up						
INITIAL	1	1	1	0						



Photo-Diode I/V AMP Gain Setting and RFO Offset Control for CD-R and CD-RW.

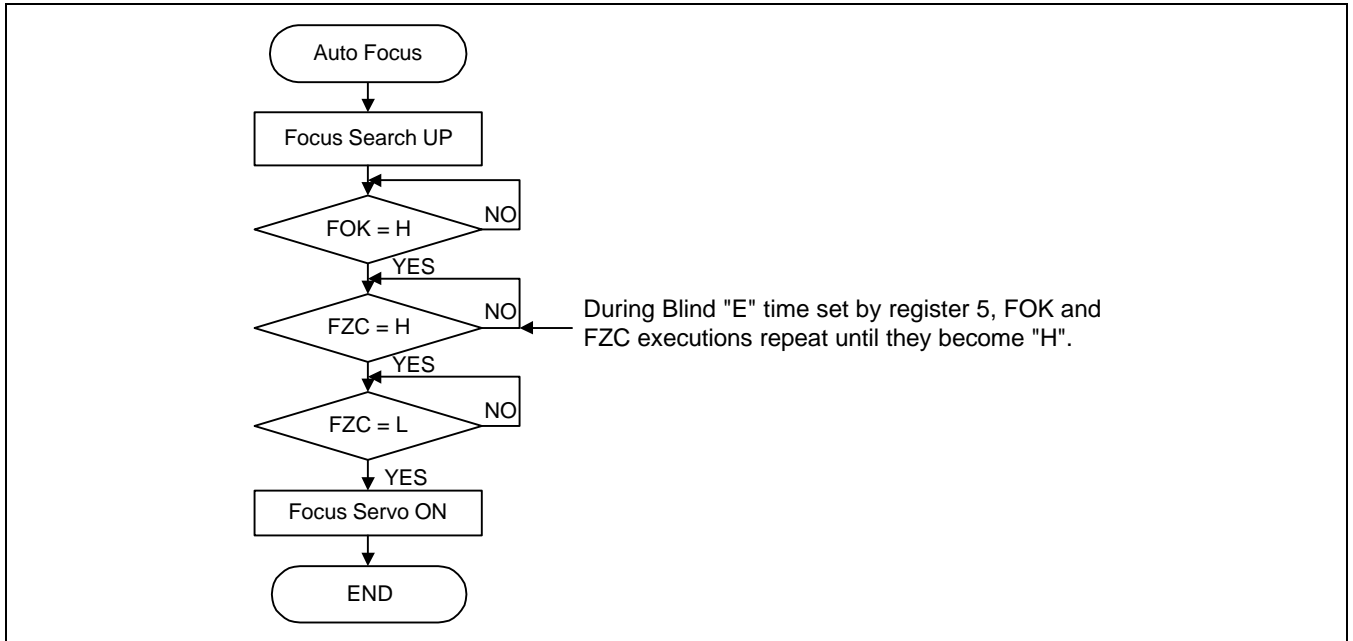
ADDRESS	DATA											
	D7	D6	D5	D4	D3	D2	D1	D0				
	RWC5	RWC10	RFOC1	RFOC2	RFOC3	RFOC4	RFBC1	RFBC2				
\$83XX	Focus Error related Gain		CD-RW related monitor output based on RFOC1 + RFOC2 + RFOC3 + RFOC4. Priority order: RFOC2>RFOC4>RFOC1,RFOC3					RFAMP Offset Control				
0	Down(0.5X)	Normal(1X)	1/2 RFO	RFOC4	Focus Error	RFOC3	Normal	Normal				
1	Normal(1X)	UP(2X)	EQI	TE GAIN	TES	RFOC1	Down	Down				
INITIAL	1	0	0	1	0	0	0	0				
MODE Setting												
DATA	DATA		F.Error Gain	DATA				Monitor	Output	DATA		RFO Offset
	D7	D6		D5	D4	D3	D2	ISTAT	TRCNT	D1	D0	
	0	0	0.5	0	0	0	0	Focus Error	Focus Error	0	0	0mV
	0	1	1.0	0	0	0	1	1/2 RFO	1/2 RFO	0	1	0mV
	1	0	1.0	0	0	1	0	TES	TES	1	0	-100mV
	1	1	2.0	0	0	1	1	1/2 RFO	1/2 RFO	1	1	-200mV
				0	1	0	0	TGH	TGL			
				0	1	0	1	TGH	TGL			
				0	1	1	0	TGH	TGL			
				0	1	1	1	TGH	TGL			
				1	0	0	0	Focus Error	Focus Error			
				1	0	0	1	EQI	EQI			
				1	0	1	0	TES	TES			
				1	0	1	1	EQI	EQI			
				1	1	0	0	TGH	TGL			
				1	1	0	1	TGH	TGL			
				1	1	1	0	TGH	TGL			
				1	1	1	1	TGH	TGL			
CD-RW Detect Method		There are four types of source signals in the method used to read the CD-RW DISC. 1. Focus Error Signal 2. Tracking Error Summing Signal (TES) 3. RFO 4. EQI Tracking Gain Window outputs(TGH,TGL) are sent to ISTAT1 and ISTAT2 during focus search.										
1	Focus Error	The monitor output in the table above is set as the focus error output and the focus error output level comparison \$81XX is sent to ISTAT1 and ISTAT2 to allow the micom to monitor the focus error output. After \$81XX is sent, it possible to monitor because the tracking gain window comparator are used commonly. With search command (\$47), if the intensity of radiation set its target, focus search level is 1Vp-p, and peak value is 0.5V. As the table below, windows level transmit \$84CX \$513X command, ISTAT1 monitored at 500mV.										
2	TES	Set the TES in the table above and read the CD-RW disc the same way as focus error detect.										
3	RFO	Set the RFO in the table above and read the CD-RW disc the same way as focus error detect.										
4	EQI	Set the EQI in the table above and read the CD-RW disc the same way as focus error detect.										
		ISTAT Output	ISTAT2	ISTAT1								
		Mode		\$517X	\$513X							
		\$844X	250mV	200mV	400mV	A total of 6 Tracking Gain Windows use \$84XX and \$51XX to						
		\$84CX	150mV	300mV	500mV	read the CD and CD-RW disc.						

AUTO-SEQUENCE

This function executes the chain of commands that execute auto-focus, track jump, and move. MLT latches the data at time L, and ISTAT is L during auto-sequence. It output H upon.

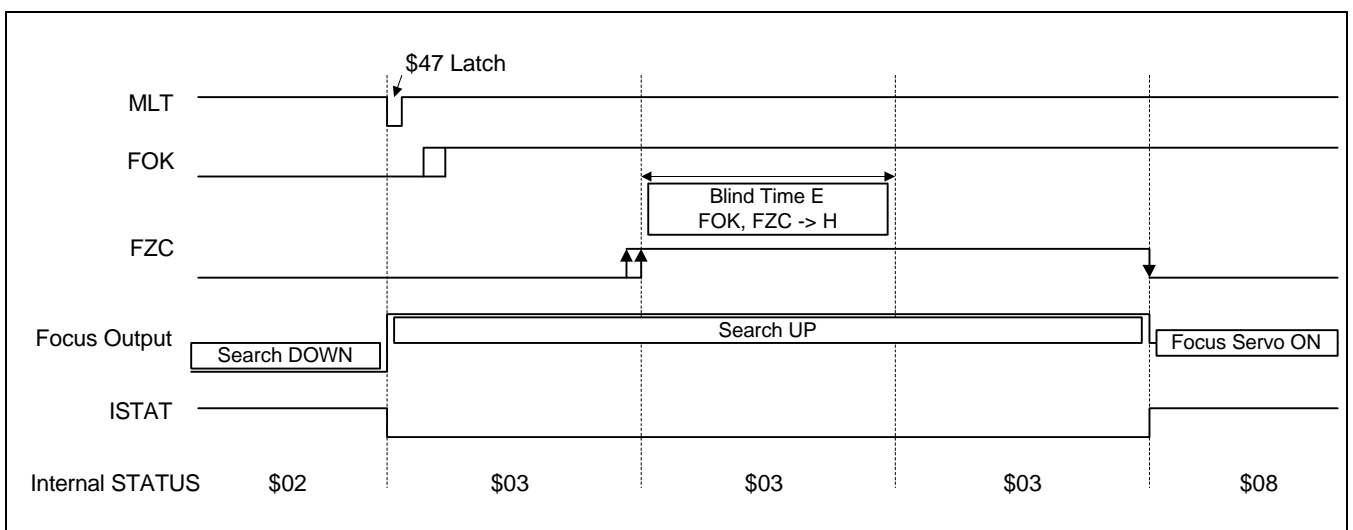
Auto Focus

Flow-Chart



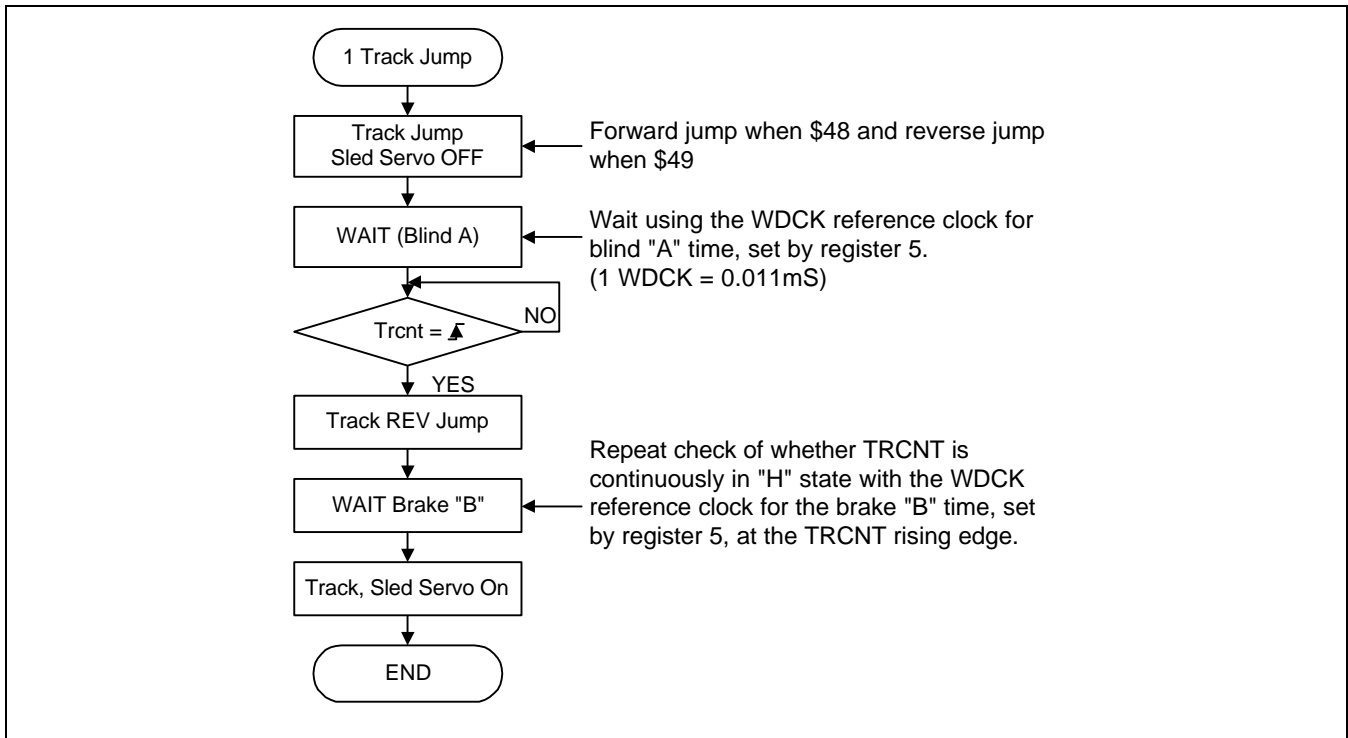
Timing Chart

Auto-focus receives the auto-focus command from the MICOM in the focus search down state and focus search up. The SSP becomes focus servo on when FZC changes to L after the internal FOK RZC satisfy 'H', all the time set blind 'E' (Register \$5X). All the internal auto focus executes ended. And this status is sent to micom through the ISTAT output.

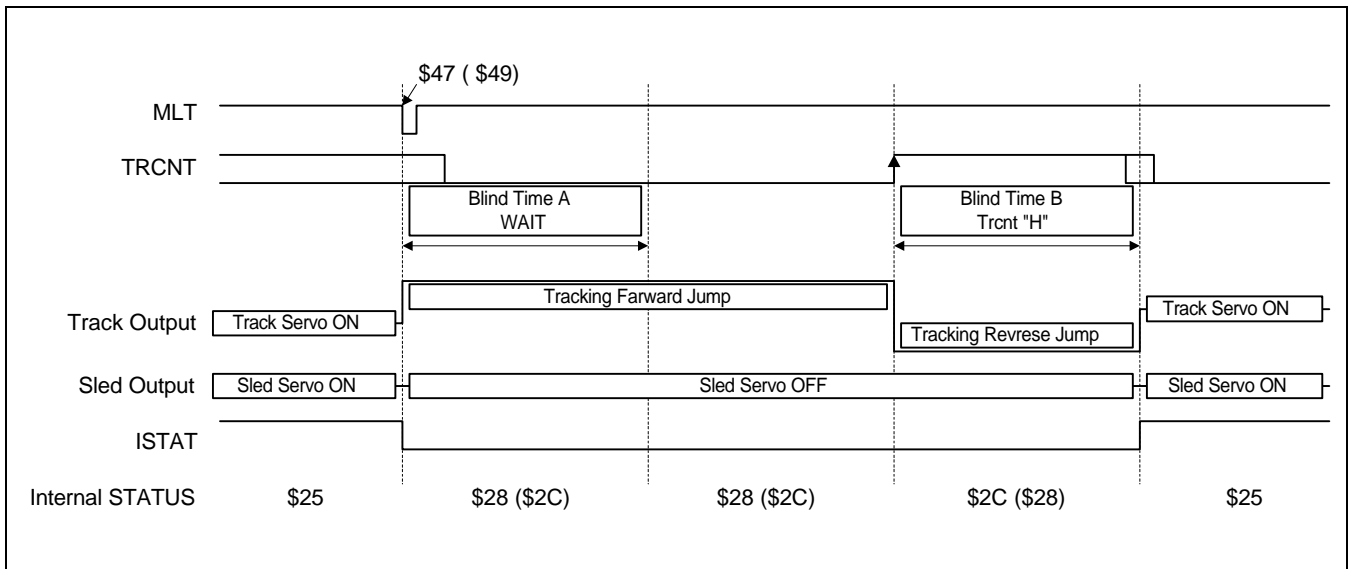


1 Track Jump {\$48(FWD), \$49(REV)}

Flow-Chart



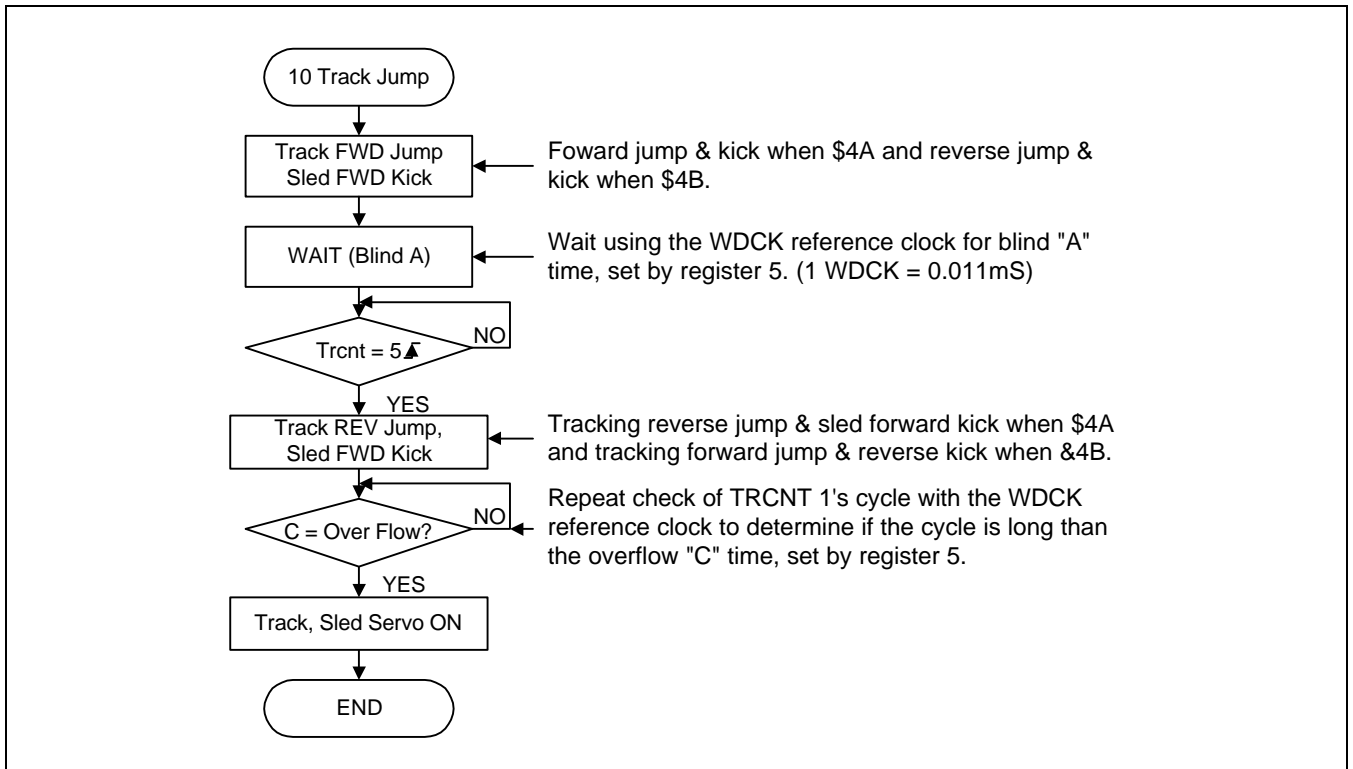
1 Track Jump Timing Chart {\$48(FWD), \$49(REV) inside () Reverse}



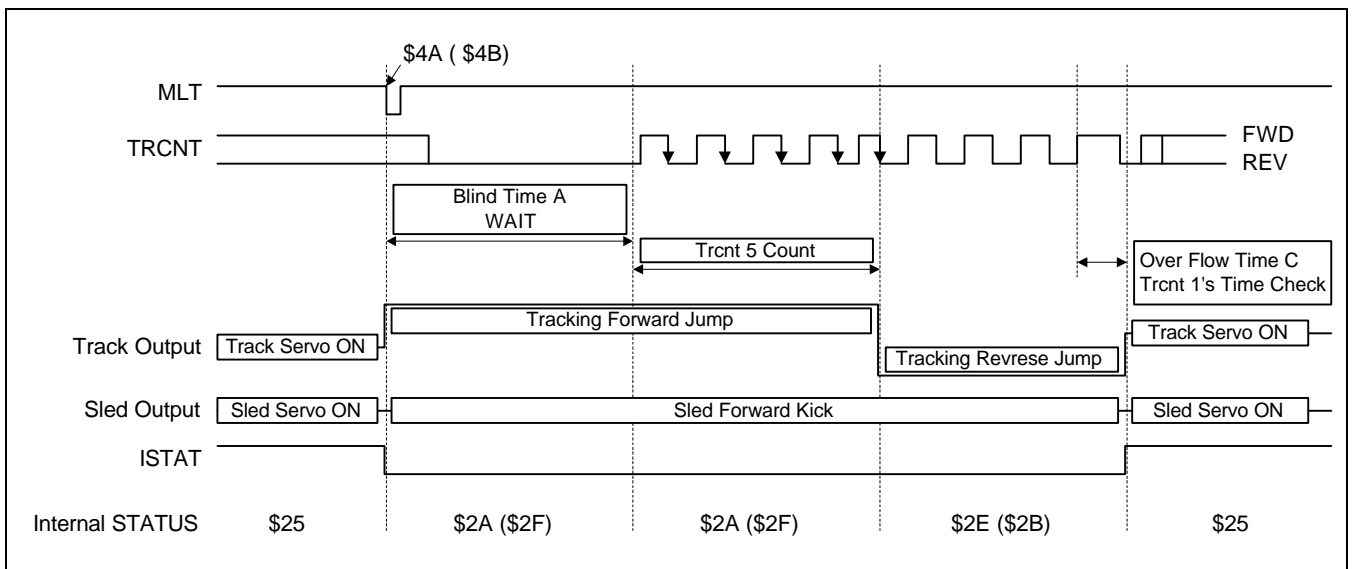
Receives \$48 (\$49) for 1 track jump and sets the blind and brake times through register \$5X.

10 Track Jump {\$4A(FWD), \$4B(REV)}

Flow-Chart



10 Track Jump Timing Chart {\$4A(FWD), \$4B(REV) inside ()Reverse }

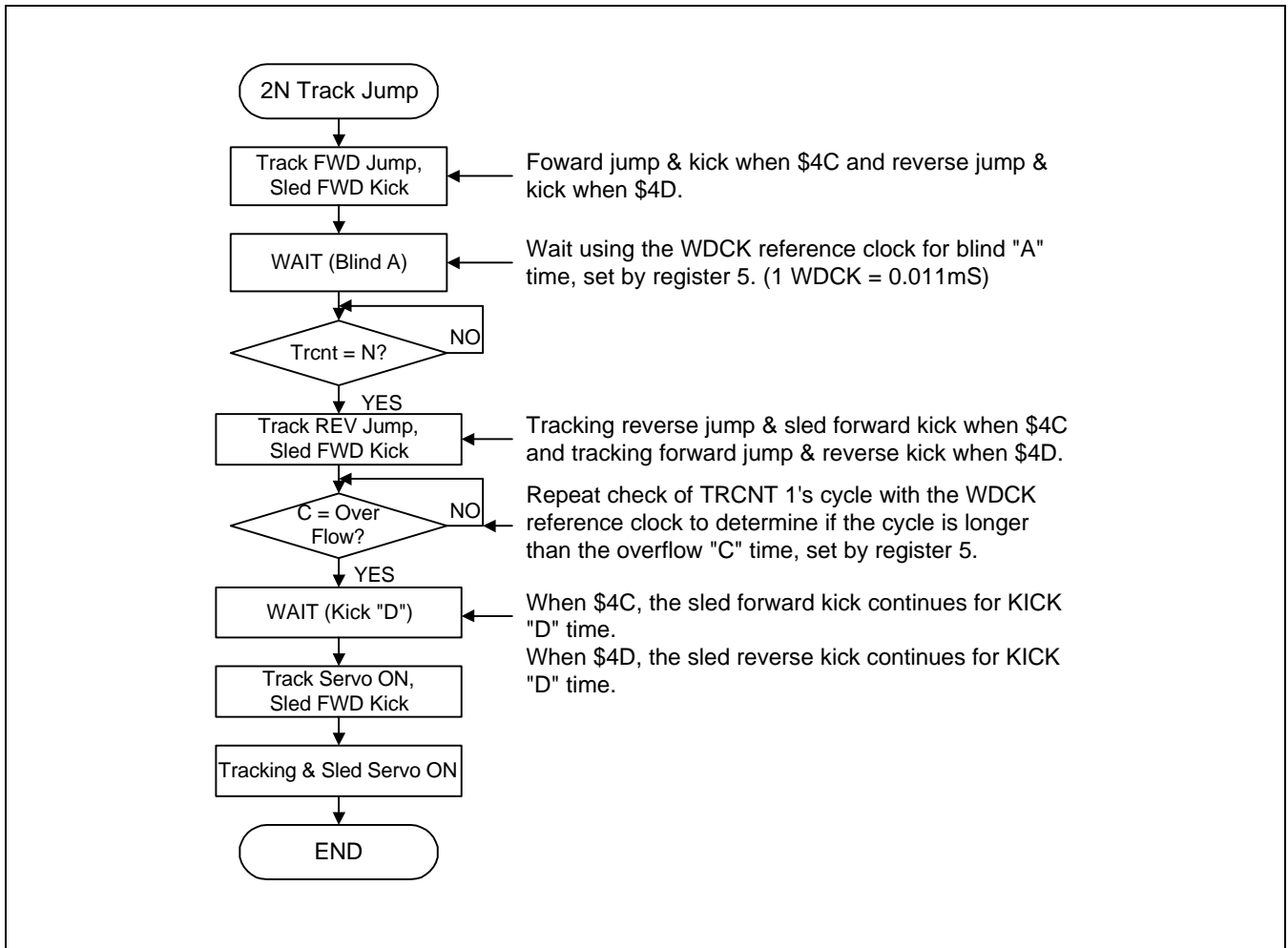


10 track jump executes the tracking forward jump up to trcnt 5track count and turns on the tracking and sled servos after a tracking reverse jump until trcnt 1's cycle is longer than the overflow 'C' time. This operation checks whether the actuator speed is sufficient to turn on the servo.

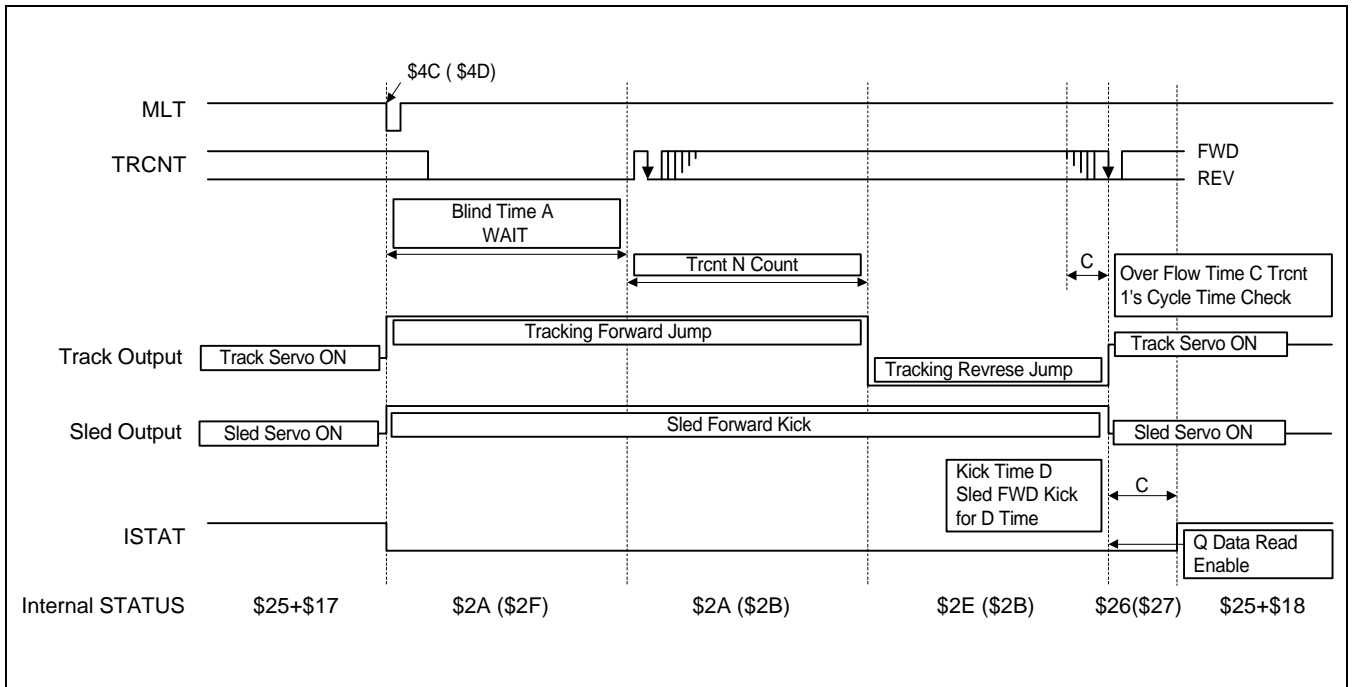


2N Track Jump

Flow-Chart



2N Track Jump Timing Chart { \$4C(FWD), \$4D(REV) inside () Reverse }

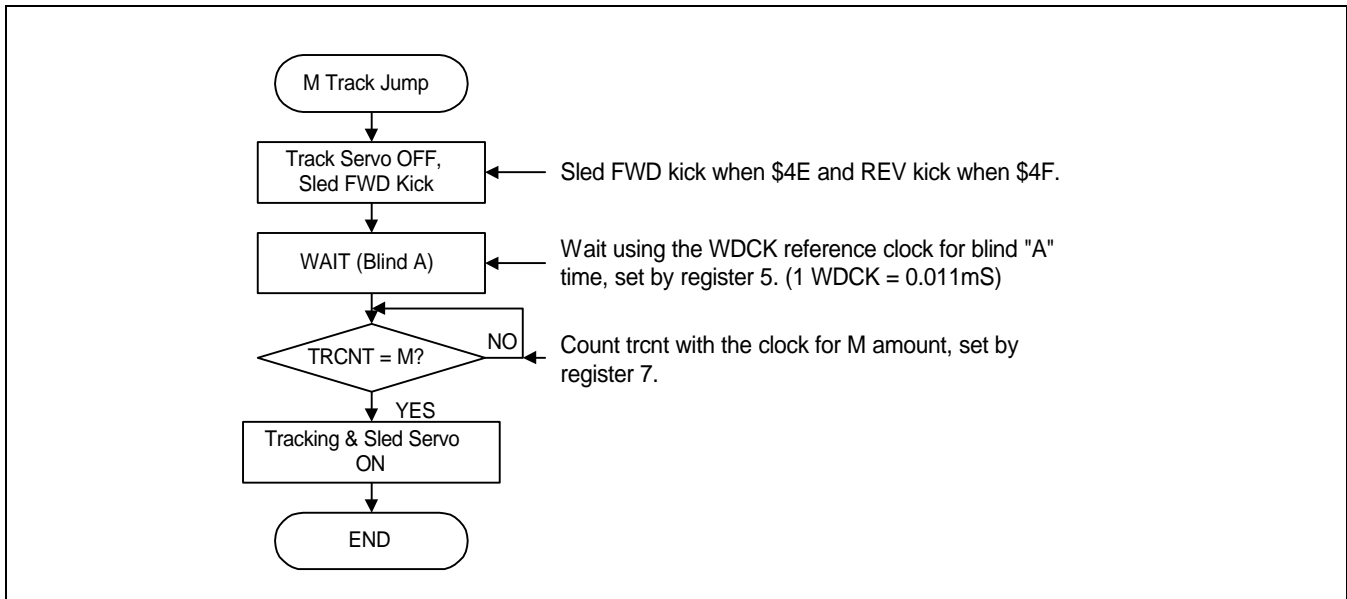


Similar to 10 tracks and executes by adding sled kick by the amount of kick 'D' time and the servo turns on after lens brake starts.

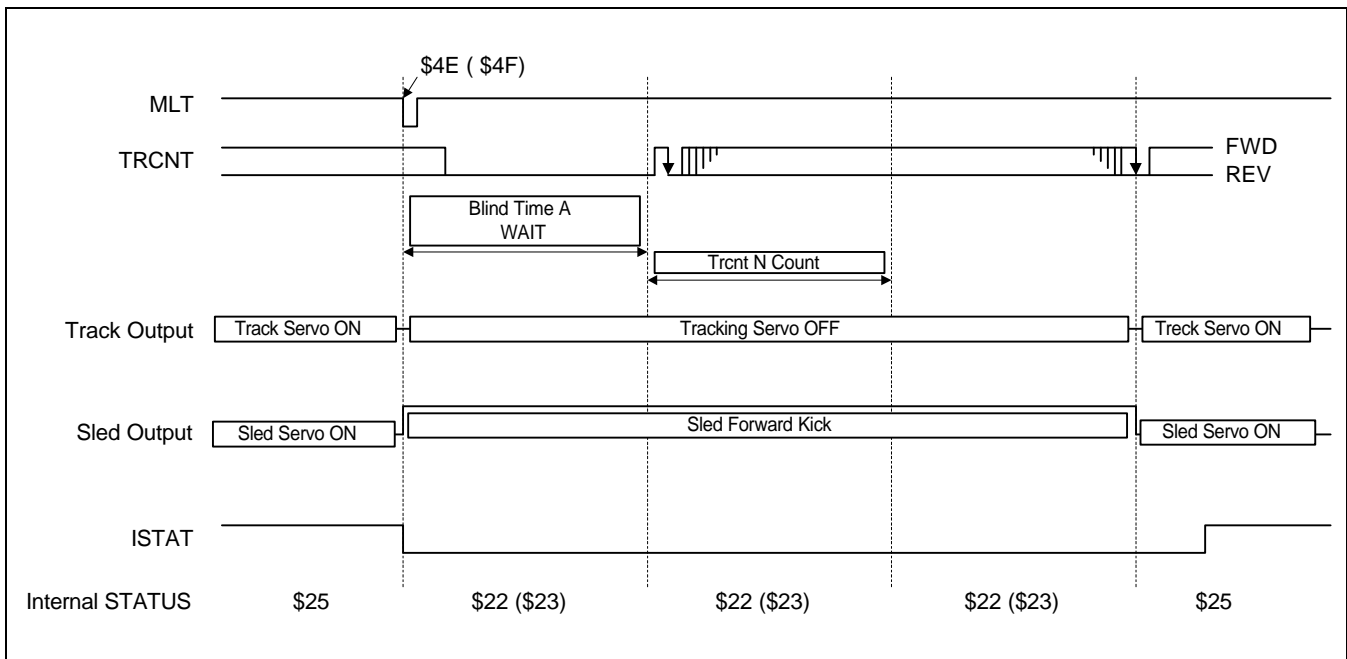


M Track Jump {\$4E(FWD), \$4F(REV)}

Flow-Chart



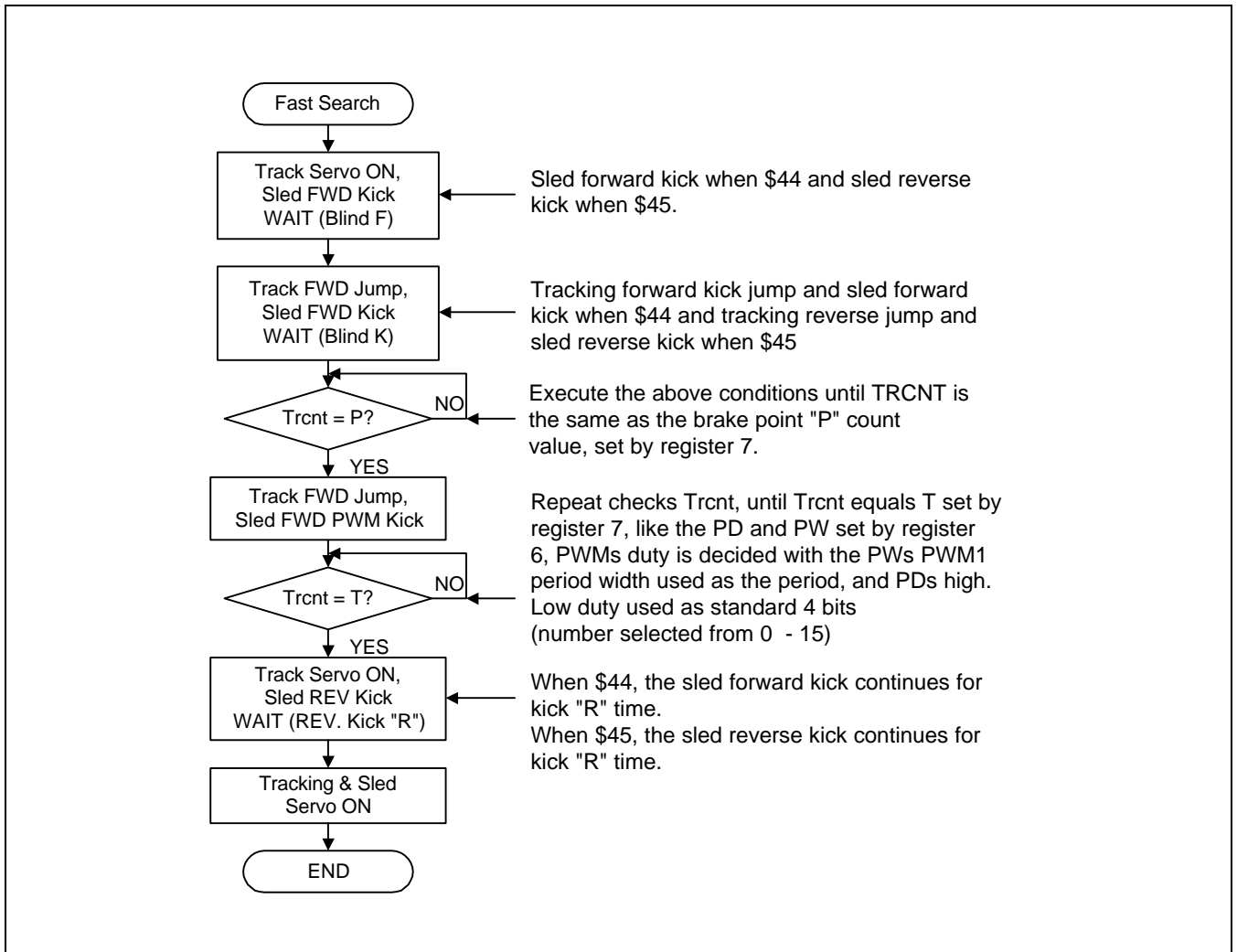
M Track Jump Timing Chart {\$4E(FWD), \$4F(REV) inside () Reverse}

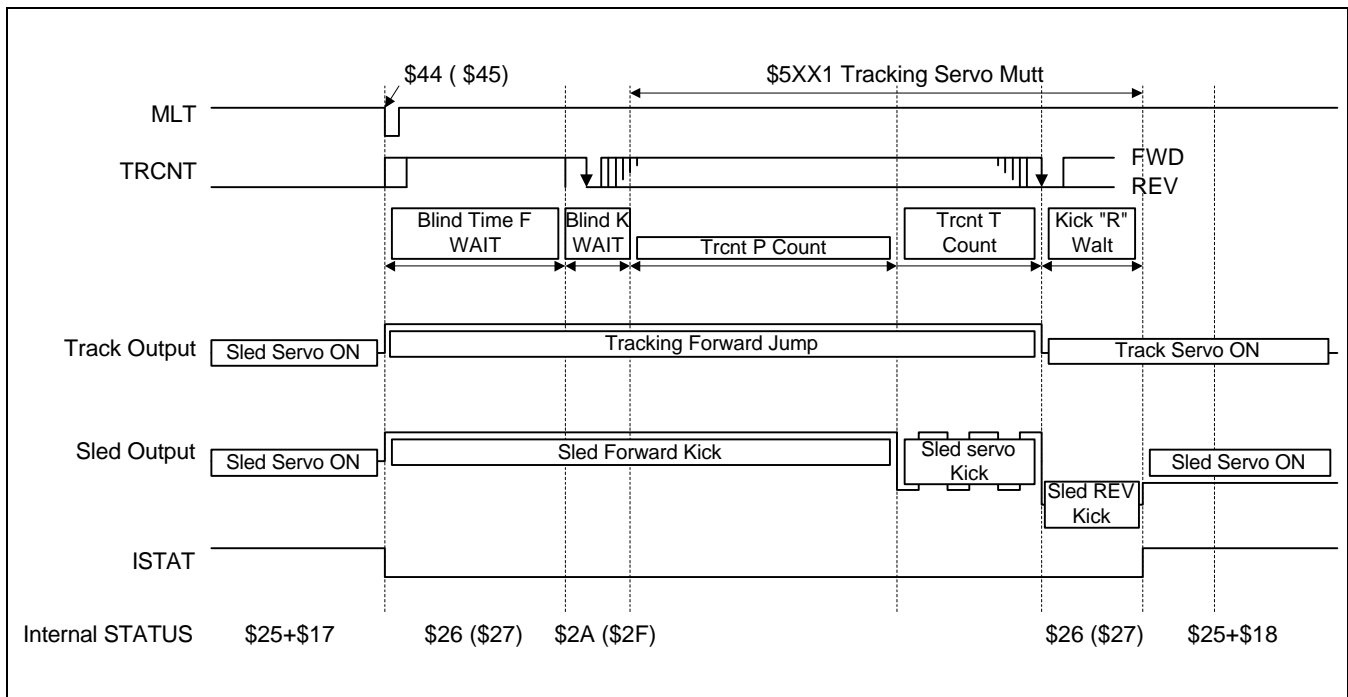


Makes Trcnt to clock and counts to the value of M count, set by register 7, to execute sled kick.

Fast Search

Flow-Chart

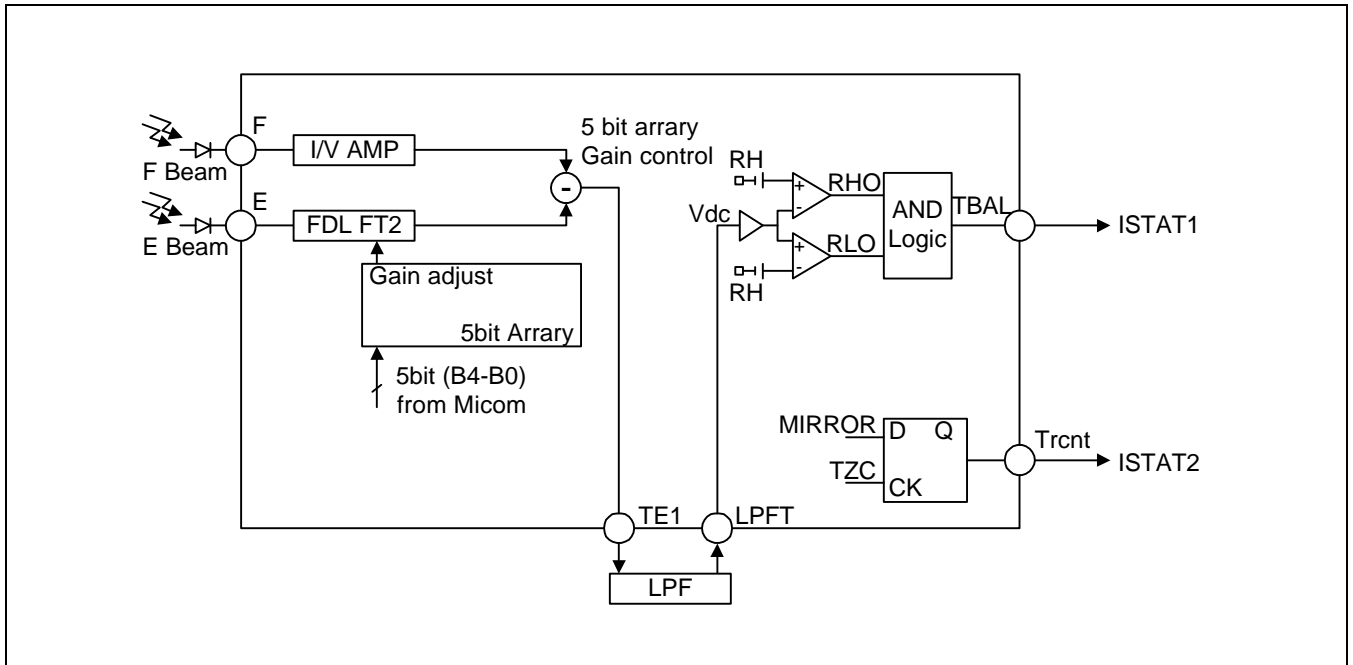


Fast Search Timing Chart {\$44(FWD), \$45(REV) inside () Reverse}

To Note During use of Auto-Sequence

1. Must send tracking gain up and brake on (\$17) during 1, 10, 2N, track jump, and fast search.
2. Before the auto-sequence mode, MLT becomes 'L' and sequence operation executes at the initial WDCK falling edge after data latch.
3. During play, determine as FOK and GFS, not ISTAT.
4. Tracking gain up, brake, anti-shock and focus gain down are not executed in auto-sequence, and separate command must be provided.
5. If the Auto-sequence does not operate as Istat Max time over, apply \$40 and use after clearing the SSP internal state.
6. The above indicated WDCK receives 88.2kHz from DSP. (2x → 176kHz)
7. The auto-sequence internal trcnt and the actual trcnt are slightly different.
8. Problems can be generated in the algorithm for 2N and M tracks if jump of more than 512 tracks are attempted; therefore, use them for less than 512 track jumps, if at all possible.
9. Use the fast-search algorithm for more than 512 tracks, if possible.
10. When the track is moved by micom, the internal trcnt count setting is created by the \$CXXX command, and complete and continuous complete signals are output to ISTAT.

TRACKING BALANCE CONTROL CONCEPT

In tracking balance control, the micom compares and monitors the previously set DC voltage window and the tracking error DC offset, extracted from the external LPF for automatic control.



Summary of Operation

When the focus and spindle servos are on, tracking balance control turns off the tracking and servo loops to open the tracking loop, extracts the DC offset by sending the error signal, passed through the optical pick-up and tracking error amp, through the external LPF, then this offset to the previously set window comparator level, and then informs of the completion the balance control to the micom through the ISTAT, when the dc offset of the tracking error amp in window is extracted. At this time, Tracking E beam-side I/V amps gain is selected by MICOM, and the 5-bit resistance arrays resistance value is selected by the 5-bit control signal.

The values that MICOM applies are 00000 → 11111. If you select the switch, TESO DC offset increases the (2.5V-ΔV) → (2.5V + ΔV) one step at a time, to enter the pre-selected DC window level. When it enters that level, the balance adjust is completed, and the switch condition is latched at this time

Because the TESO signal frequency is distributed up to 2kHz, the DC offset that passed through the LPF is not a correct value, if a DC component exists, and therefore, micom monitors the window output when the TESO signal frequency is above 1kHz. At this time, the frequency check the Trcnt pin. When TBAL output is H, balance control is complete.

	Vdc < RLI < RHI	RLI < Vdc < RHI	RLI < RHI < Vdc
RHO	H	H	L
RLO	L	H	H
TBAL (AND gate)	L	H	L



- RHI: High level threshold value
- RLI: Low level threshold value
- Vdc: Window comparator input voltage
- TBAL: And gate output value of the window comparator output

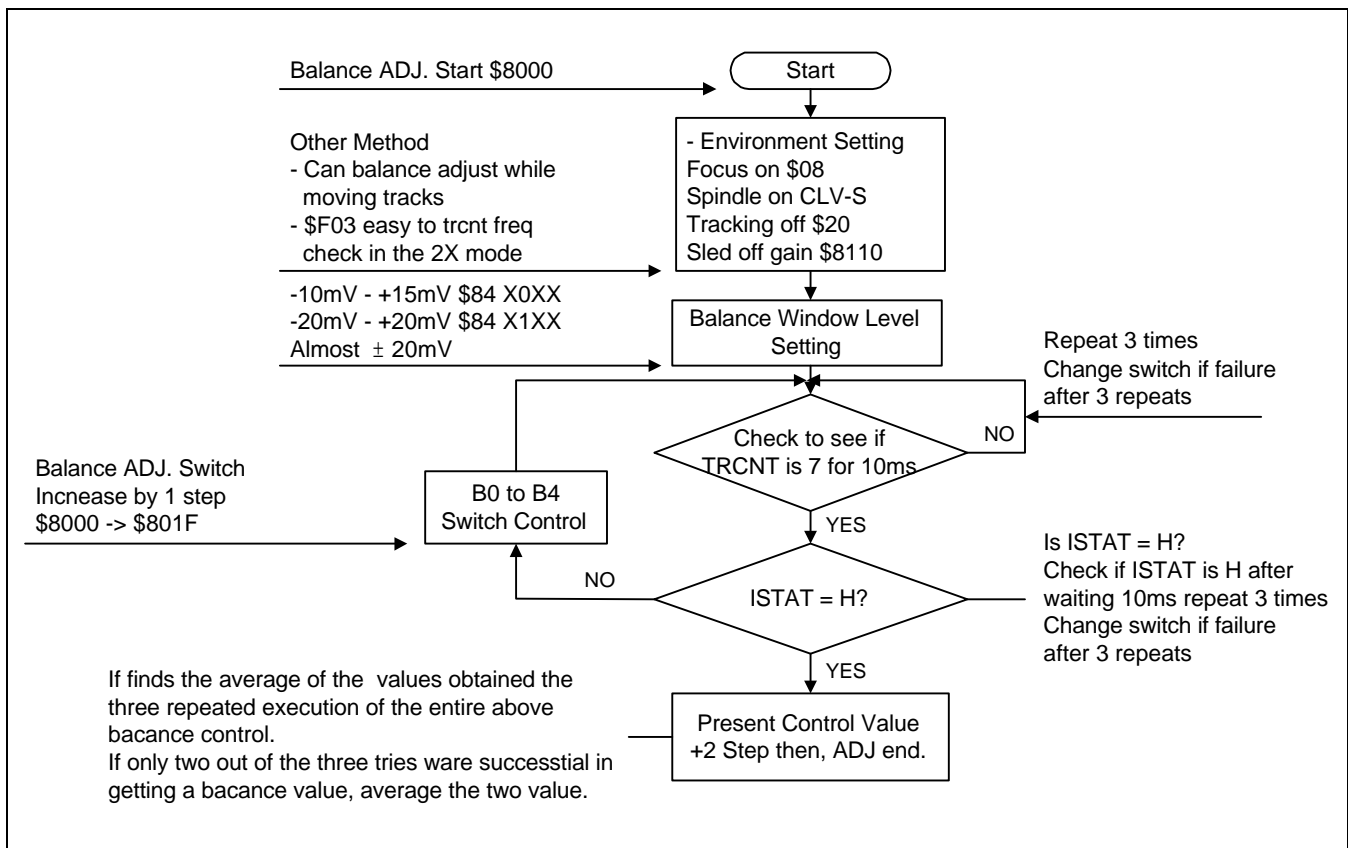
An Example of Tracking Balance Control

Out of \$8000 → \$801F 32 steps, the upper and lower 32 steps are used. After receiving \$8110 as the gain when the focus and tracking are on, the control flow checks TRCNT frequency to see if the more than 7 TRCNT entered during 10ms. If yes, it checks the ISTAT, if no, it checks the number of TRCNT three times and goes on to the ISTAT check.

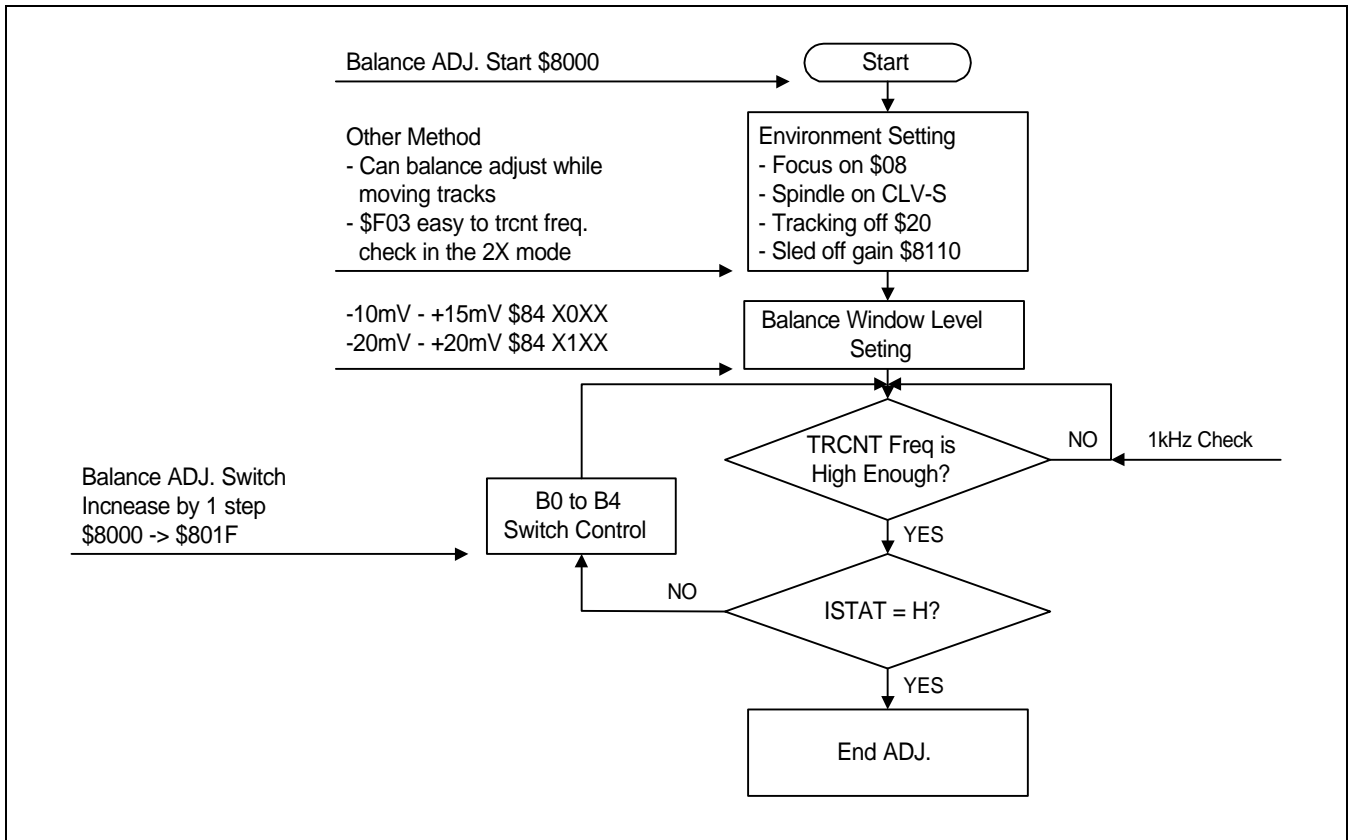
Repeats fail, it raises the balance switch by 1 step. If ISTAT does not immediately go to H, it for 10 ms during ISTAT check after which it check whether ISTAT is H continuously for 10ms, is repeated three times. If the three repeats fail, it raises the balance switch by 1 step.

The above wait 10 ms while running the system. It finds the average of the values obtained the three repeated execution of the entire above balance control. If only the balance values are from two of the three repeats, these values are averaged. If only two out of the three tries were successful in getting a balance value, average the two values. Set as balance switch, this average value +2. This is because the balance for the system and the minus value for the DC is stable in the system. Precision is important in balance adjust, and about 1+2 sec is spent as adjust time, which is accounted for.

Balance Control Flowchart 1



Balance Control Flowchart 2



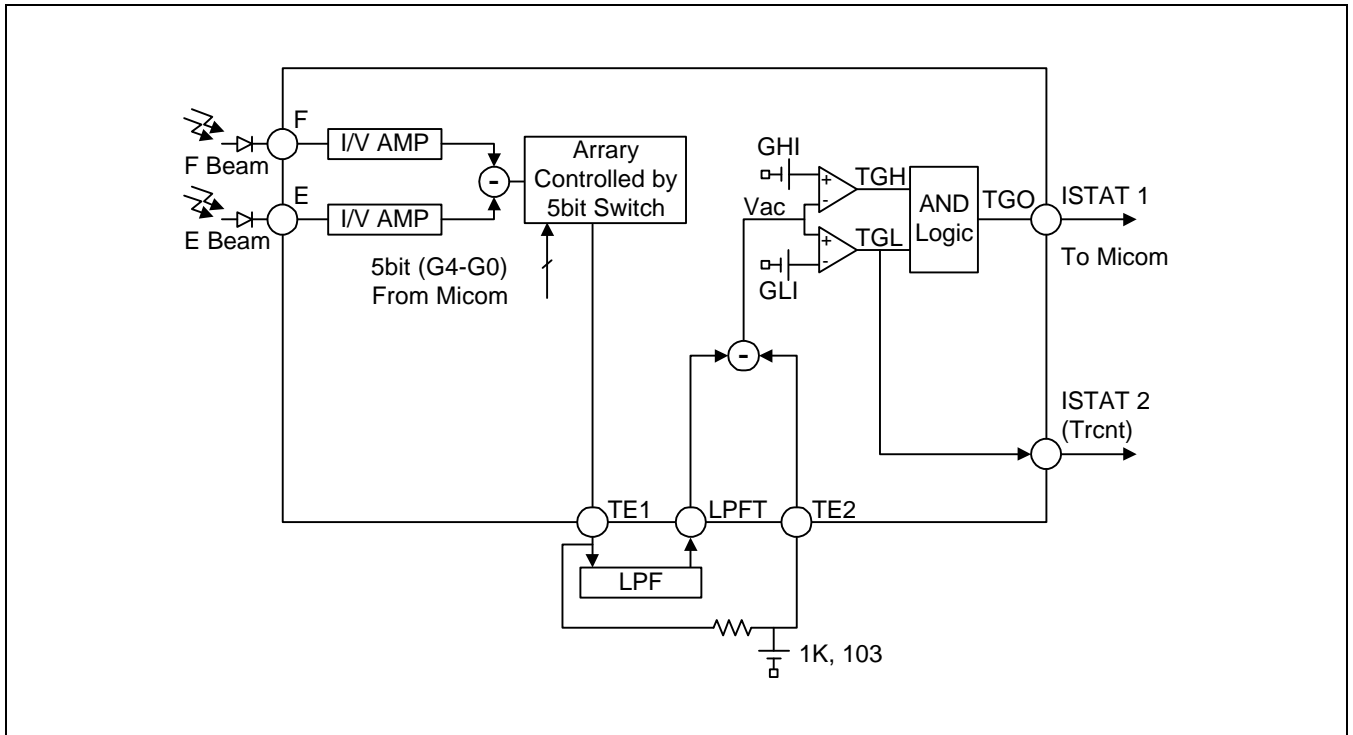
When Tracking Balance

- The balance adjust is from \$8000 to \$801F, and the switch mode is changed one step at a time by 16-bit data transmission. After adjustment, a separate latch pulse is not necessary.
- If the Trcnt freq. is not high enough, the balance control can be adjusted at \$F03 applied 2x mode .
- Here, we have suggested tracking off status for the balance adjust, but the same amount of flow can be balance adjusted while in track move.
- Among the 16 bit data, the tracking balance window setting level can be selected from 0: -10 mV — +15mV 1: -20mV — +20mV through the D6 bit.
- When the tracking balance adjust is complete, the tracking gain control starts.

Tracking Balance Equivalent Resistance

Data	Tracking Balance		Fixed Resistance and Parallel Resistance		Variable Resistance (5bit)					Comments		
	TSIO offset	F equivalent Res.	E equivalent Res.	100K/5bit R	5bit equivalence	35K	70K	140K	280K		560K	
\$8000	+	391K	480K	15.22K	17.9K	1	1	1	1	1	<p>F Equivalence Resistance</p>	
\$8001		391K	475K	15.6K	18.6K	1	1	1	1	0		
\$8002		391K	468K	16.1K	19.3K	1	1	1	0	1		
\$8003		391K	463K	16.5K	19.7K	1	1	1	0	0		
\$8004		391K	455K	17.2K	20.8K	1	1	0	1	1		
\$8005		-	391K	451K	17.6K	21.5K	1	1	0	1	0	<p>E Equivalence Resistance</p>
\$8006			391K	444K	18.3K	22.4K	1	1	0	0	1	
\$8007			391K	439K	18.9K	23.3K	1	1	0	0	0	
\$8008			391K	433K	19.5K	24.3K	1	0	1	1	1	
\$8009			391K	426K	20.4K	25.5K	1	0	1	1	0	
\$800A	391K		421K	21.0K	26.6K	1	0	1	0	1	70K//35K = 23.3K 1	
\$800B	391K		415K	21.9K	28.0K	1	0	1	0	0	280K//140K = 93.3K 2	
\$800C	391K		409K	22.7K	29.4K	1	0	0	1	1	560K//280K = 186.6K 3	
\$800D	391K		403K	23.7K	31.1K	1	0	0	1	0	140K//35K = 28K 4	
\$800E	391K		397K	24.7K	32.9K	1	0	0	0	1	280K//35K = 31.1K 5	
\$800F	391K	391K	25.9K	35K	1	0	0	0	0	560K//35K = 32.9K 6		
\$8010	391K	385K	27.1K	37.2K	0	1	1	1	1	140K//70K = 46.6K 7		
\$8011	391K	380K	28.5K	39.9K	0	1	1	1	0	280K//70K = 56K 8		
\$8012	391K	374K	30.0K	43.0K	0	1	1	0	1	560K//70K = 62.2K 9		
\$8013	391K	368K	31.7K	46.6K	0	1	1	0	0	1//2 = 18.56K 10		
\$8014	391K	361K	33.9K	51.4K	0	1	0	1	1	10//560K = 17.96K		
\$8015	391K	357K	35.8K	56K	0	1	0	1	0			
\$8016	391K	350K	38.3K	62.2K	0	1	0	0	1			
\$8017	391K	344K	41.1K	70K	0	1	0	0	0			
\$8018	391K	336K	44.5K	80.4K	0	0	1	1	1			
\$8019	391K	332K	48.4K	93.9K	0	0	1	1	0			
\$801A	391K	327K	52.8K	112K	0	0	1	0	1			
\$801B	391K	321K	58.3K	140K	0	0	1	0	0			
\$801C	391K	315K	65.1K	187K	0	0	0	1	1			
\$801D	391K	309K	73.6K	280K	0	0	0	1	0			
\$801E	391K	303K	84.8K	560K	0	0	0	0	1			
\$801F	391K	298K	100K	0K	0	0	0	0	0			

TRACKING GAIN CONTROL CONCEPT



Operation Summary

Tracking gain control is executed by comparing the previously set gain set value of the window with the only the pure AC component of the signal TESO (DC+AC) , which was extracted the resistance divide of the tracking error amp output, passed through the LPF and DC offset .

The resistance divide regulates the gain by changing the 5 bit resistance combination with micom command. The tracking gain control is executed under the balance control, the same of focus loop on, spindle servo on, tracking servo off and sled servo off and controls amount of optical pick-up reflection and tracking error amp gain. External LPF cut-off freq. Is 1o 10Hz - 100Hz. The window comparator comparison level can be selected between +150mV - +300mV and +250mV - 200mV using the micom command.

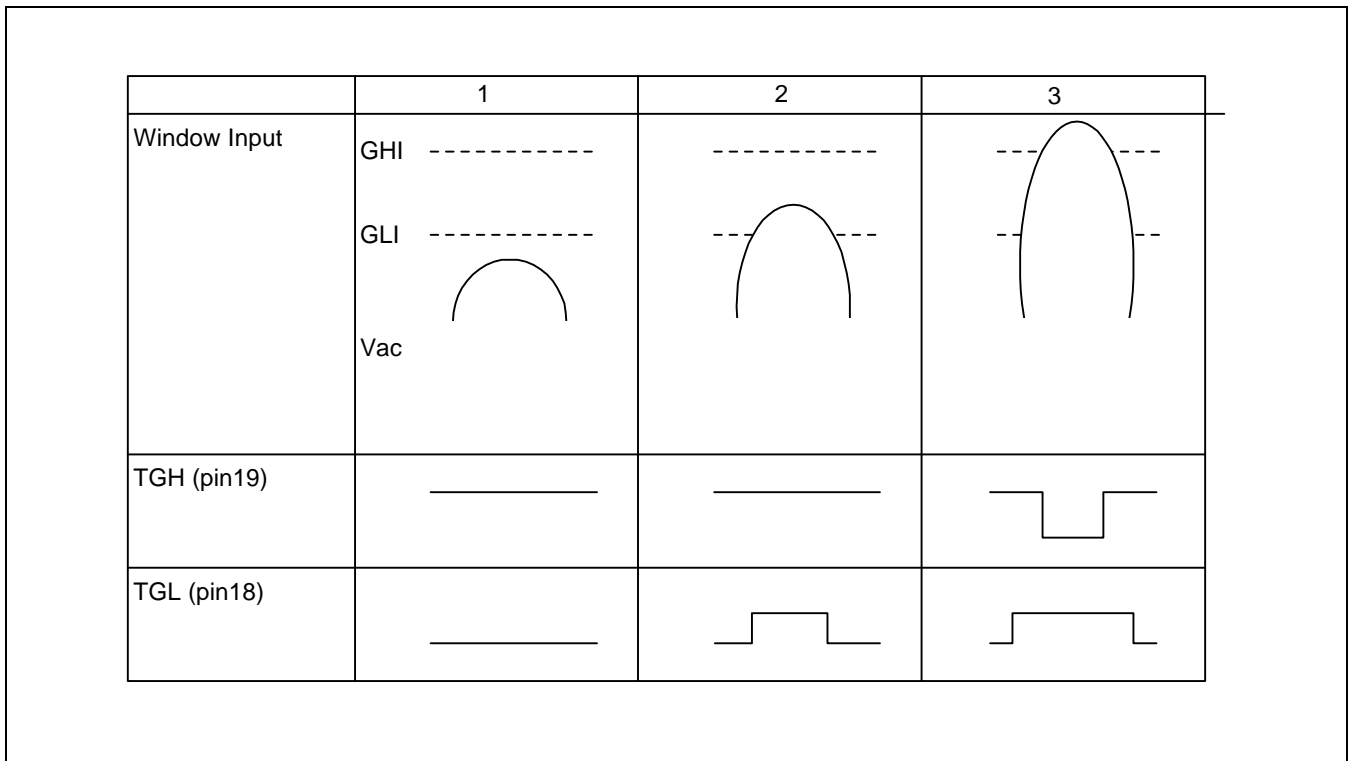
TGL outputs the +150mV and +250mV comparator outputs to TRCNT.

TGH outputs the +300mV and +200mV comparator outputs to ISTAT.

	Vac < GLI < GHI	GLI < Vac < GHI	GLI < GHI < Vac
TGH (ISTAT output)	H	H	L
TGL (TRCNT output)	L	H	H

Gain control completes control when TGL output is H.

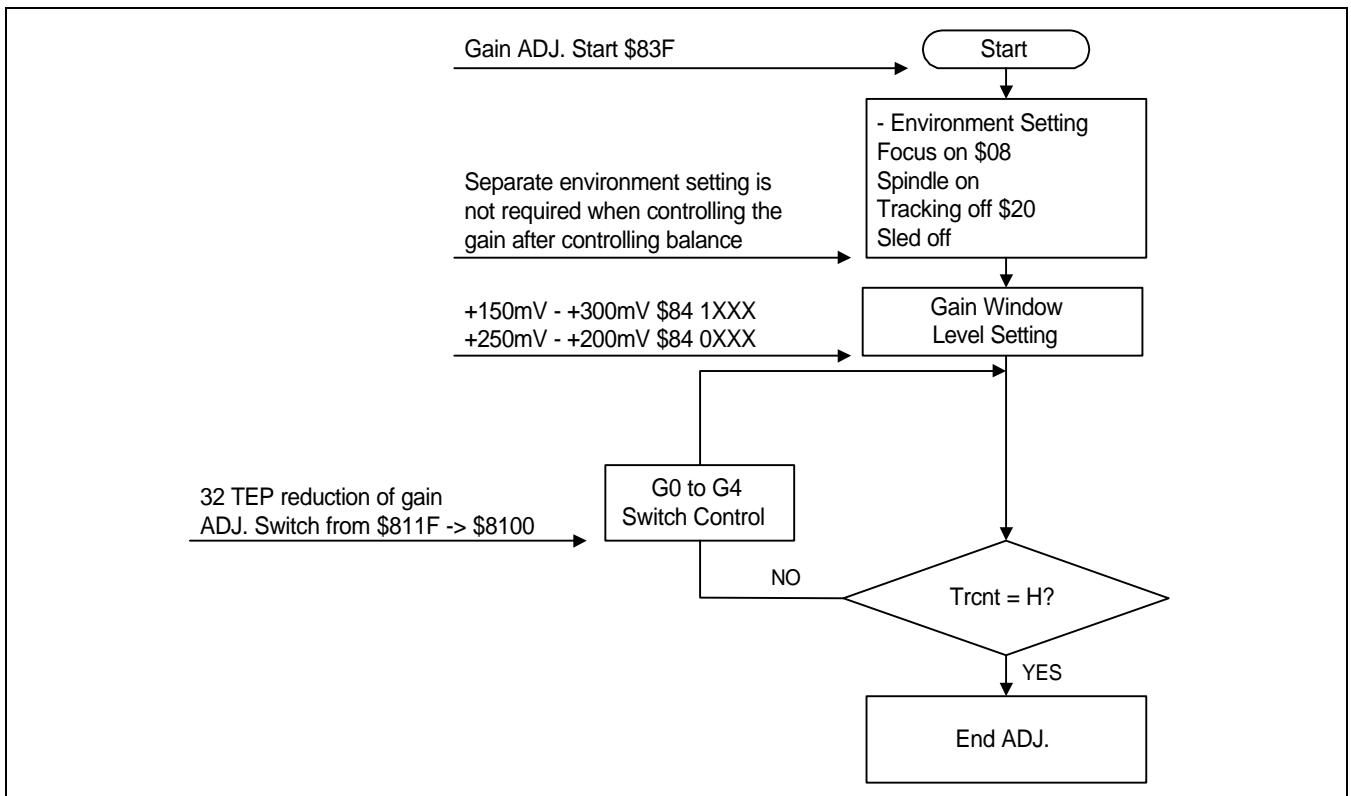




Tracking Gain Control

- In balance control, 16 bit data transmission changes the switch mode by 1step from \$811F → \$8100, and , after adjustment, a separate latch pulse is not needed.
- The H duty check reference of TGL output of Trcnt output is above 0.1ms.
- The most appropriate method is chosen among the 4 control modes listed besides the ones above for control.
- Among the 16 bit data, the tracking balance window setting level can be selected from 0: +250mV (TGL) - +200mV (TGH), 1: +150mV (TGL) - +300mV (TGH) through the D7 bit.
- When the tracking gain adjust is complete, it enters the tracking & sled servo loop and TOC read.

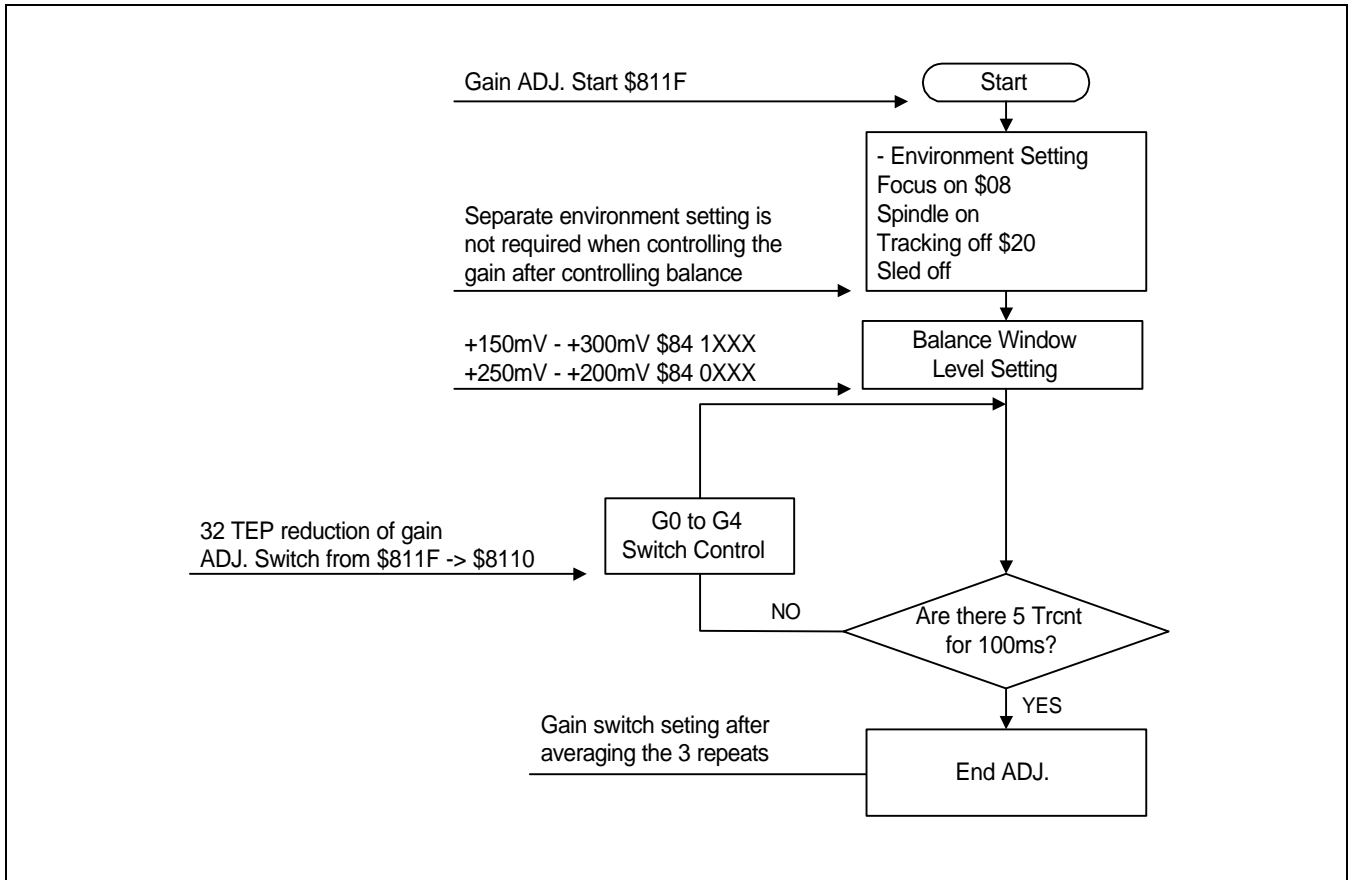
Gain Control Flowchart 1



In gain control, the micom command from \$811F → \$8100 successively executes the down command and goes status 1 to 2 → 3. If it reaches status 2, control ends.

- **Gain Control Method 1**
The micom monitors the TGL output of Trcnt and, when it detects the output's H duty (0.1ms), ends. The window comparator level at this time is +150mV - +300mV.
- **Gain Control Method 2**
The micom monitors the TGO output of Istat and, when it detects the output's H duty (0.1ms), ends. The window comparator level at this time is +150mV - +300mV.
- **Gain Control Method 3**
The micom monitors the TGL output of Trcnt and, when it detects the output's H duty (0.1ms), ends. It changes the window comparator level at this time from +150mV - +300mV to +250mV - +200mV. Then it re-monitors the TGL output of Trcnt, and, if it detects the output's H duty (0.1ms), control ends. If it latches the middle command between the previous micom command value and latter command value, +200mV gain control becomes possible.
- **Gain Control Method 4**
The micom monitors the TGL output of Trcnt and, when it detects the output's H duty (0.1ms), it down the micom command by 1 and control ends. The window comparator level at this time is +150mV - +300mV.
- **Gain Control Method 5**
Gain control is set to 32 steps in total and gain window is set to +250mV.
(That is, start from \$811F and head toward \$8110) after setting \$811F, it monitors the Trcnt to check whether five Trcnts were detected for 10ms. If yes, control ends, and, if not, it as gain switch is lowered by 1 step. The above process is repeated three times and the average value obtained from this repetition set as the gain control switch.

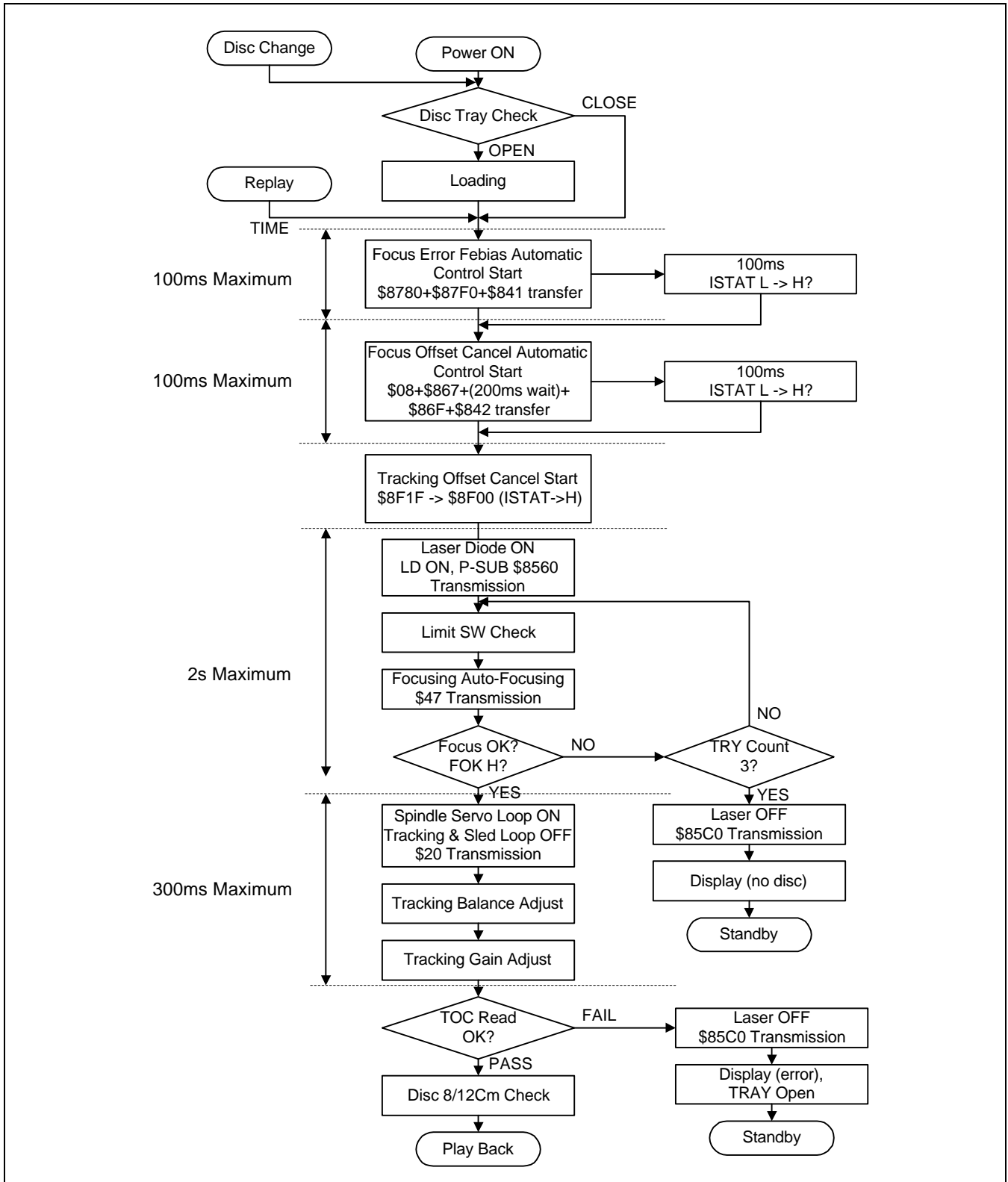
GAIN CONTROL FLOWCHART 2



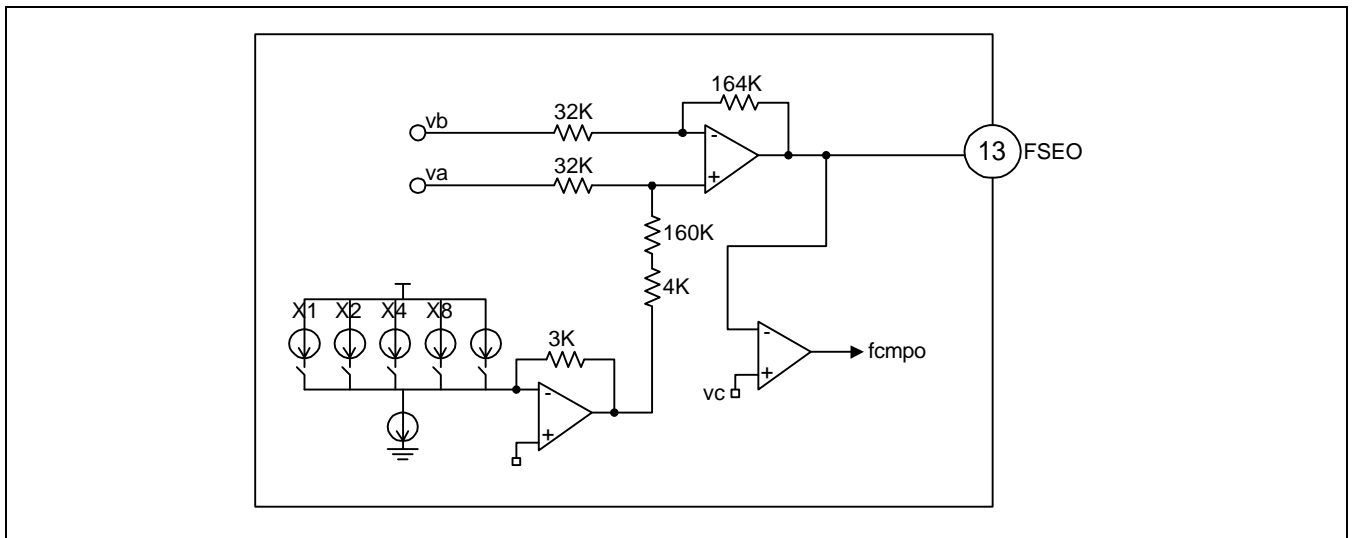
Tracking Gain Equivalent Resistance

Data	Tracking Gain										Comments
	TERR Gain	TERR Gain	5Bit Gain Ratio	Proportional Resistance	Combined Resistance	7.5K	7.5K	3.75K	2.0K	1K	
\$811F	0.096	96K/32K → x 3.0	0.032	15.0K	0.5K	1	1	1	1	1	The gain at ratio is calculated in the TSIO terminal.
\$811E	0.272		0.090	15.0K	1.5K	1	1	1	1	0	
\$811D	0.428		0.142	15.0K	2.5K	1	1	1	0	1	
\$811C	0.567		0.189	15.0K	3.5K	1	1	1	0	0	
\$811B	0.662		0.220	15.0K	4.25K	1	1	0	1	1	
\$811A	0.777		0.259	15.0K	5.25K	1	1	0	1	0	
\$8119	0.882		0.294	15.0K	6.25K	1	1	0	0	1	
\$8118	0.977		0.325	15.0K	7.25K	1	1	0	0	0	
\$8117	1.043		0.347	15.0K	8.0K	1	0	1	1	1	
\$8116	1.144		0.381	15.0K	9.25K	1	0	1	1	0	
\$8115	1.200		0.400	15.0K	10.0K	1	0	1	0	1	
\$8114	1.269		0.423	15.0K	11.0K	1	0	1	0	0	
\$8113	1.317		0.439	15.0K	11.75K	1	0	0	1	1	
\$8112	1.378		0.459	15.0K	12.75K	1	0	0	1	0	
\$8111	1.434		0.478	15.0K	13.75K	1	0	0	0	1	
\$8110	1.487		0.495	15.0K	14.75K	1	0	0	0	0	
\$810F	1.548		96K/32K → x 3.0	0.516	7.5K	8.0K	0	1	1	1	
\$810E	1.636	0.545		7.5K	9.0K	0	1	1	1	0	
\$810D	1.714	0.571		7.5K	10.0K	0	1	1	0	1	
\$810C	1.783	0.594		7.5K	11.0K	0	1	1	0	0	
\$810B	1.860	0.620		7.5K	12.25K	0	1	0	1	1	
\$810A	1.888	0.629		7.5K	12.75K	0	1	0	1	0	
\$8109	1.941	0.647		7.5K	13.75K	0	1	0	0	1	
\$8108	1.988	0.662		7.5K	14.75K	0	1	0	0	0	
\$8107	2.021	0.673		7.5K	15.50K	0	0	1	1	1	
\$8106	2.0625	0.6875		7.5K	16.50K	0	0	1	1	0	
\$8105	2.100	0.700		7.5K	17.50K	0	0	1	0	1	
\$8104	2.134	0.711		7.5K	18.50K	0	0	1	0	0	
\$8103	2.158	0.719		7.5K	19.25K	0	0	0	1	1	
\$8102	2.189	0.729		7.5K	20.25K	0	0	0	1	0	
\$8101	2.217	0.739		7.5K	21.25K	0	0	0	0	1	
\$8100	2.243	0.747		7.5K	22.25K	0	0	0	0	0	

EXAMPLE OF SYSTEM CONTROL



FEBIAS OFFSET CONTROL

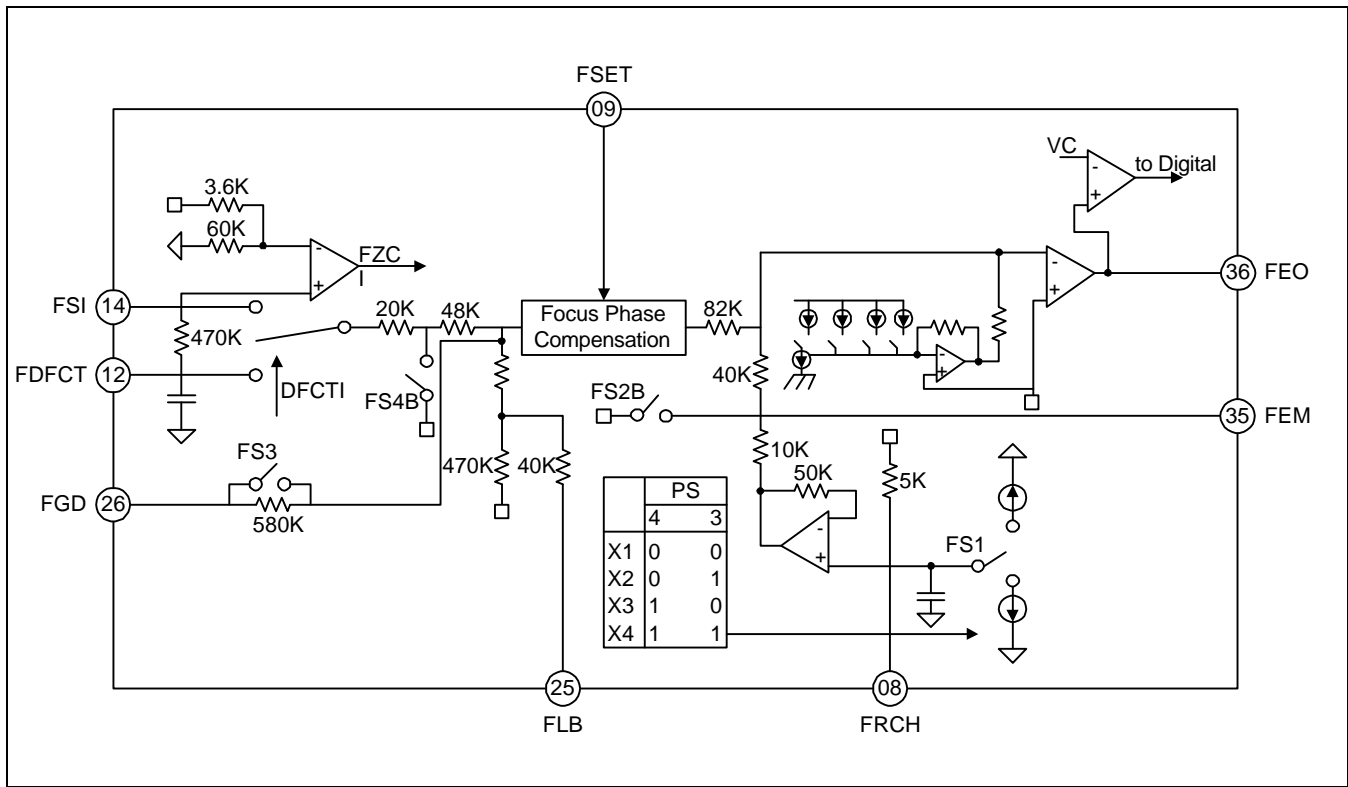


Febias offset control starts when it receives the febias offset control start command \$841X from the micom. Febias offset control ends when the focus error amp output above $1/2 V_{DD}$ after the focus output with $1/2 V_{DD}$ at the focus error amp final output terminal. The voltage per 1 step of the focus offset control is approximately 17mV. The 5bit resistance DAC changes from 112mV up to - 112mV in 1 step, after which $1/2$ step, approximately -8mV offset, is applied.

The offset dispersion after febias offset control exists between -8mV - +8mV. The time per 1 step is 5.8ms; for 5 bits and total of 32 steps, the maximum required time is 256ms.

Hardware performs the control from minus offset to plus offset. The febias offset re-control is when 4bit DAC is reset by \$8780. And Reset can be canceled only when the \$87F0 applied D2 bit is changed from 0 \rightarrow 1. The Febias DAC latch block reset for electrostatics and system operation is reset by Micom DATA and not by RESET terminal, the system reset.

FOCUS OFFSET CONTROL



Focus Offset control starts when it receives the Focus Offset control start command \$842X from micom. Focus Offset control ends when the focus error amp output below $1.2 V_{DD}$ after the focus output with $1/2 V_{DD}$ at the focus error amp final output terminal. The voltage per 1 step of the focus offset control is approximately $40mV$. The 4 bit resistance DAC changes from $320mV$ up to $-320mV$ in 1 step, after which $1/2$ step, approximately $-20ms$ offset, is applied. The offset dispersion after Focus offset control exists between $-20mV - +20mV$. The Febias Offset can be changed in $10mV$ step within the micom's $\pm 100mV$ range after focus offset control. The required per 1 step is $5.8ms$; for 4 bits and total of 16 steps, the maximum required time is $128ms$.

Also, lens-collision-sounds can be generated when adjusting the pick-up with a sensitive focus actuator, so the Time division that uses $46ms$ per step, spending a total of $736ms$, is used. The adjustment is carried out by Hardware, and it goes from plus offset to minus offset.

For focus offset readjust, 4-bit DAC is reset by \$867, and reset can be canceled only when the \$86FX applied D2 bit is changed from $0 \rightarrow 1$. The Febias DAC latch block reset for electrostatics and operation error is reset by micom DATA and not by RESET terminal, the system reset.

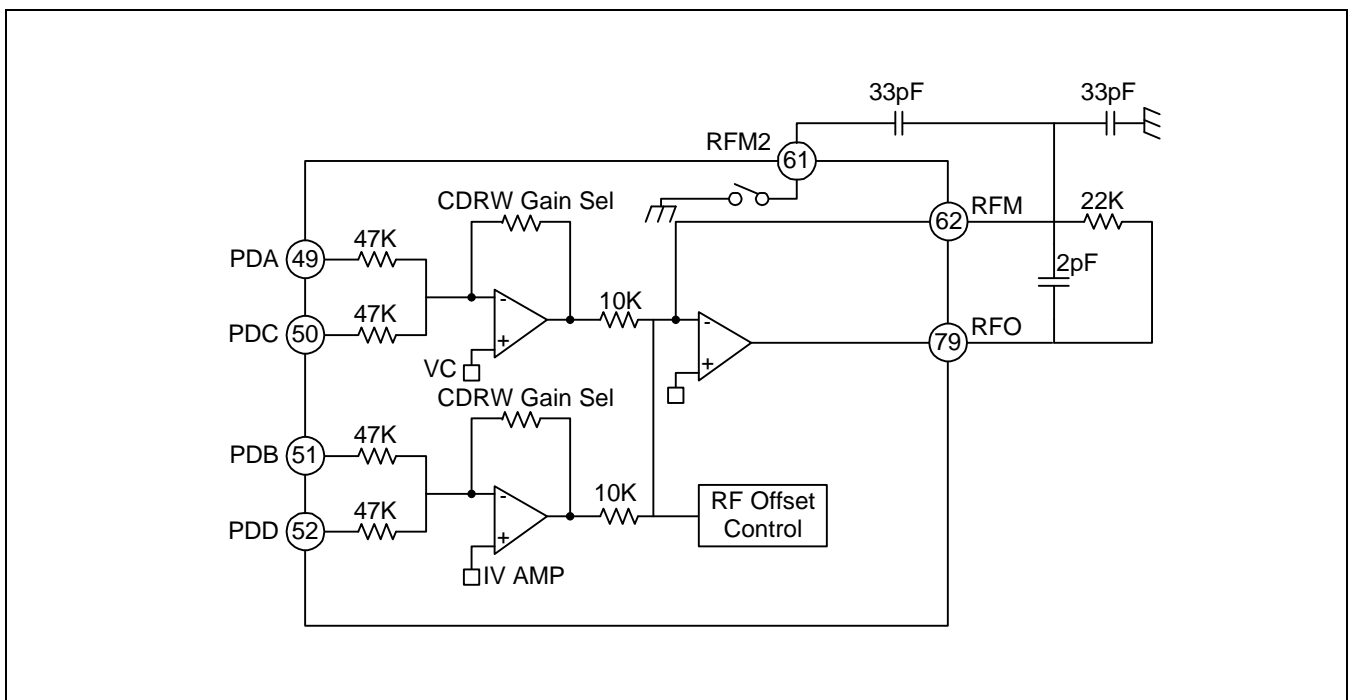
Febias Offset Setting

Febias Control

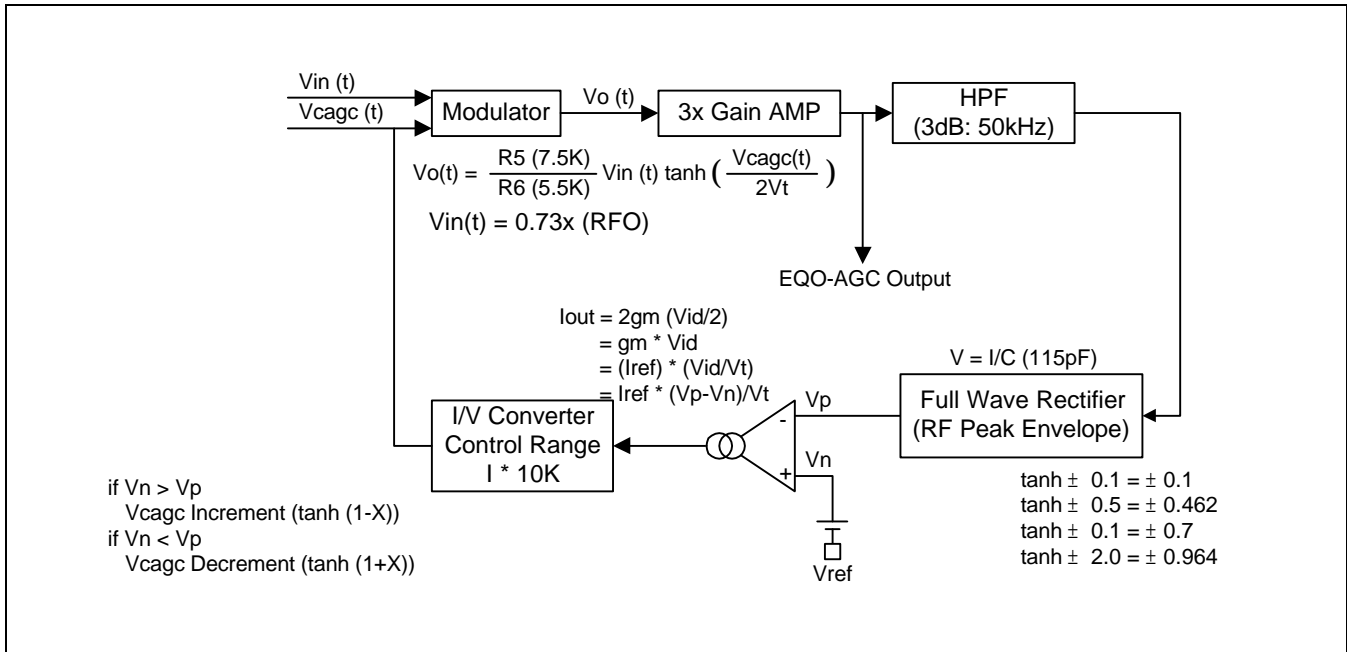
The FEBIAS offset control is automatically controlled to 0mV and can be controlled to ± 100mV. After the focus offset automatic control ends after FEBIAS offset automatic control, the command sets the internal positive and negative offsets in 10mV units to the micom.

RF SUMMING AMPLIFIER APPLICATION

The internal switch for the 1x and 2x filter select turns on when it is 1x and off, when 2x. The time constant to fit the set. The RF 1/V AMP can be controlled to 0.5X 16Step up to 1X - 8X CD-R and CDRW. The information related to CDR, CDRW disc detector is output as RFO level through the ISTAT. The RFO offset control is installed to prevent RF level clipping during low RFO voltage and the RFO offset information is output to ISTAT so that micom can know the RFO information.



RF EQUALIZE & AGC



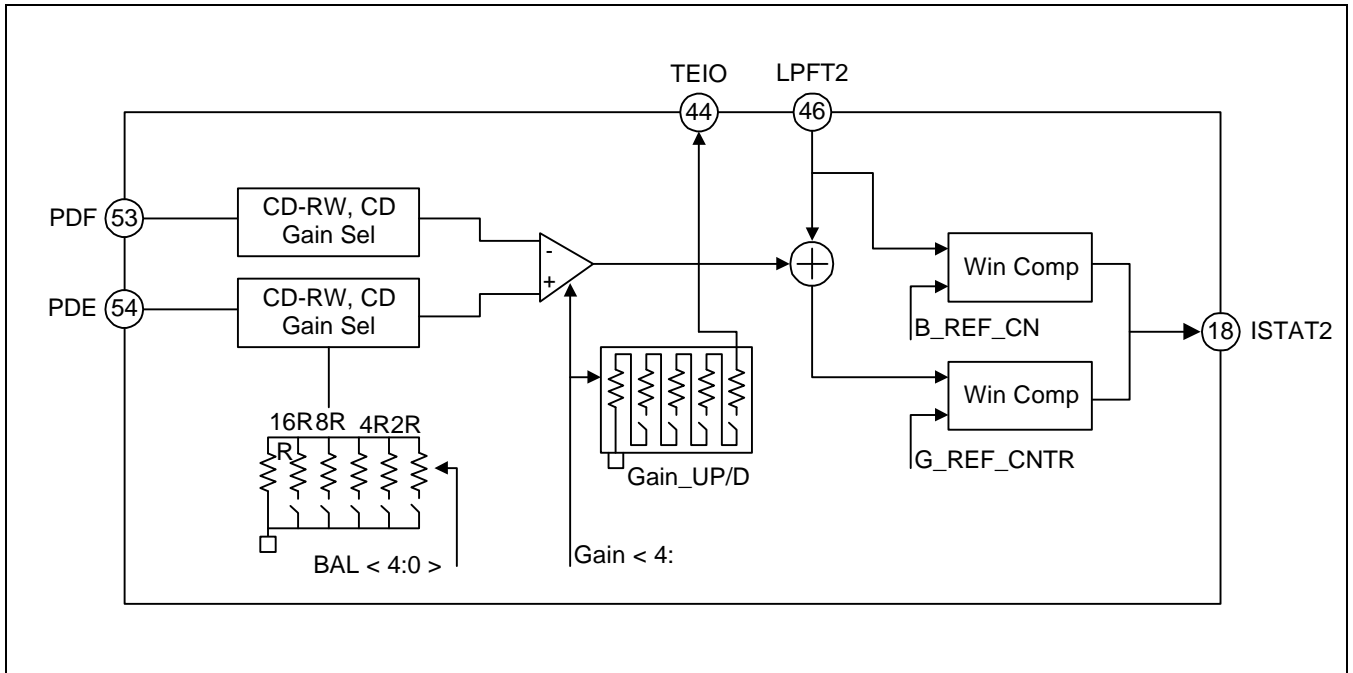
The modulator output, which had the V_{eqc} 's Tanh term multiplied at the input, passes through the approximately 3X gain terminal to the ARF pad. On the one hand, the output is - rectified as it passes through the HPF having 50kHz pole frequency and follows the peak envelope the RF level. At this time, the pole frequency of the HPF is set to 50kHz so that the 3T - 11T component can pass through without attenuation. The RF level peak value is integrated at the 's CAP node after wave rectification. If this peak value is less than the already set voltage comparison, sinking current is output and, if not, sourcing current is output. The maximum peak value at this time is 10uA, which is I/V converted and applied as the modulator control voltage. Under the sinking condition, the V_{cagc} increases to $10uA \times 10K$ and multiplied by $\tanh(1-X)$; the sourcing condition, V_{cagc} decreases to $10uA \times 10K$ and multiplied by $\tanh(1+X)$, where X is $(V_{eqc}/2V_t)$.

Overall, after detecting the 3T and 11T levels by full-wave rectification, it is compared to Tanh using the modulator and multiplied to the gain to realize the wave-form equalize. The above is related to the AGC concept, which means that a specific RF level is always taken

OTHER BLOCK

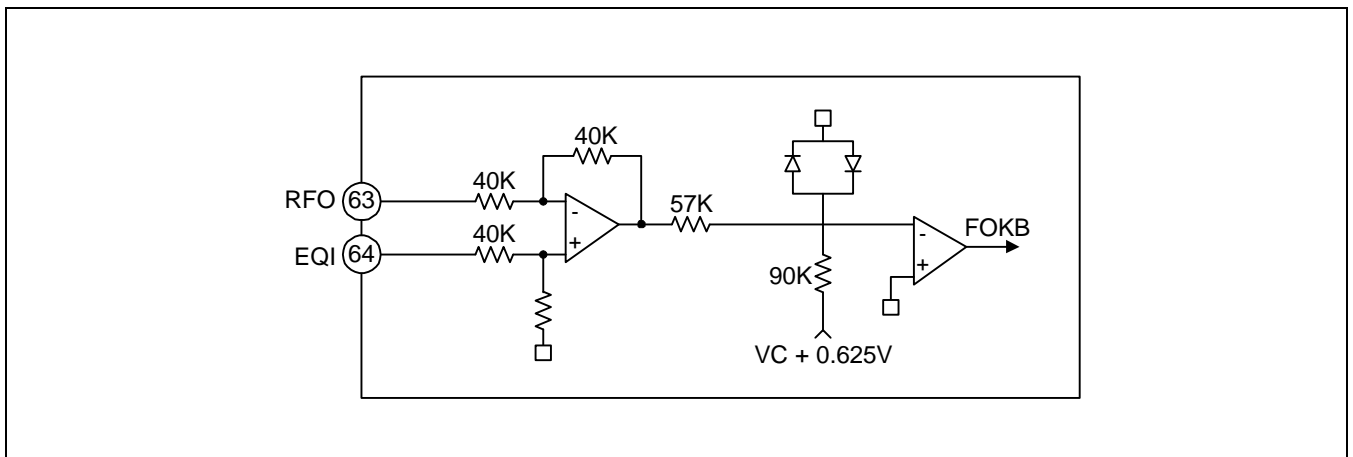
Tracking Error Amplifier

The side spot photo diode current input to terminals E and F passes through the E Loop I-V and F Loop I-V Amps. It is then converted into voltage, in order to gain the difference signal in the Tracking Error Amp. This portion can perform 0.5X 16 step gain control up to 1X-8X for CD-R and CD-RW. Has the microm programming, which controls the balance by controlling gain at the E terminal and controls the gain at TEIO.



Focus OK circuit

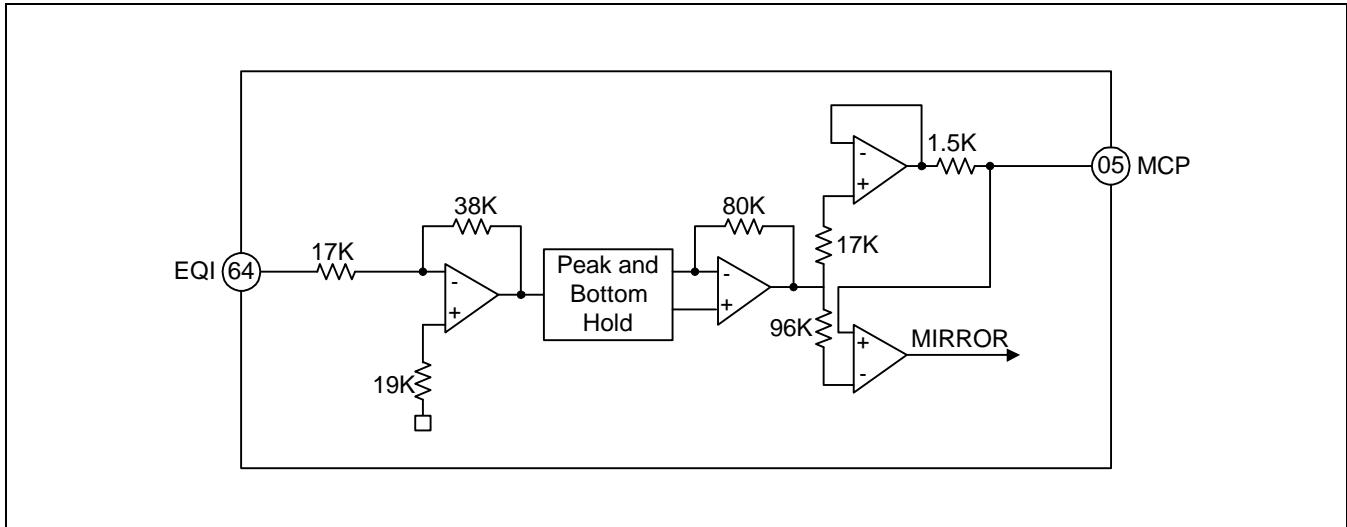
Focus Ok circuit makes the timing window, which turns on the focus in the focus search state by "output" FOK as L → H if the RF level is above the reference after the difference in DC between and RFO terminals extracted and compared to the reference DC value.



MIRROR CIRCUIT

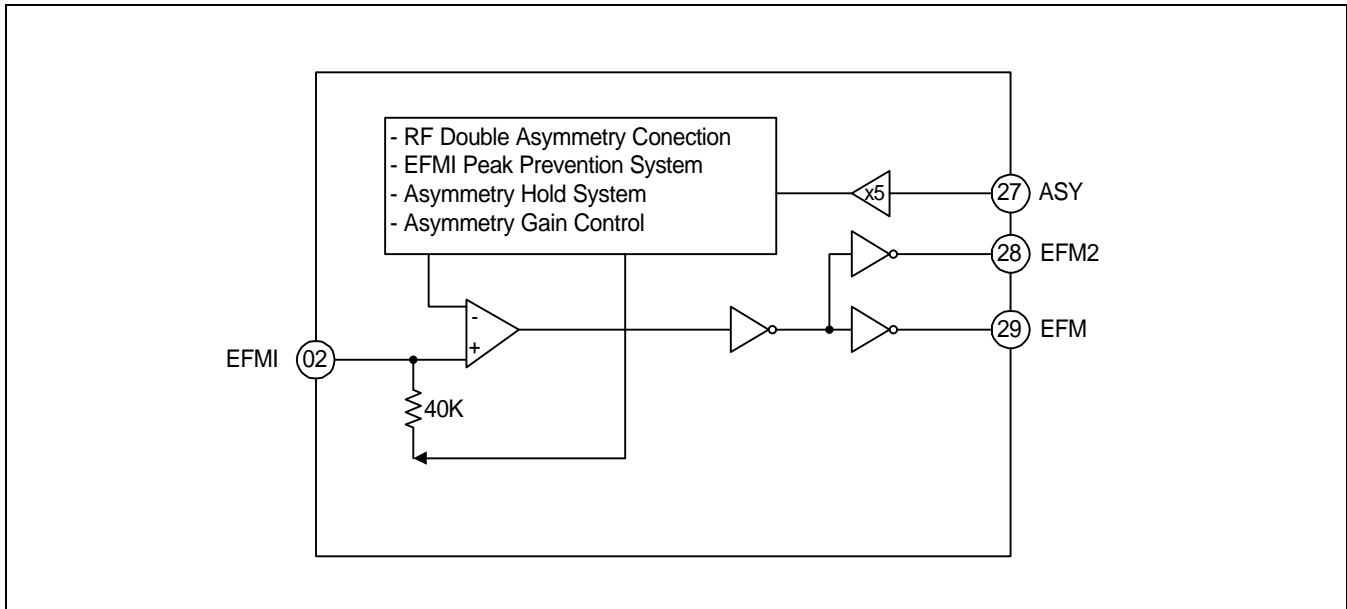
After amplifying the RFI signal, the mirror signal peak and bottom holds.

Peak hold can follow even at defect type traverse and bottom hold counts the tracks by following RF envelop at a jump. The mirror output is "L" on the disc track and "H" between tracks. Even if above 1.4 ms is detected, it outputs "H".



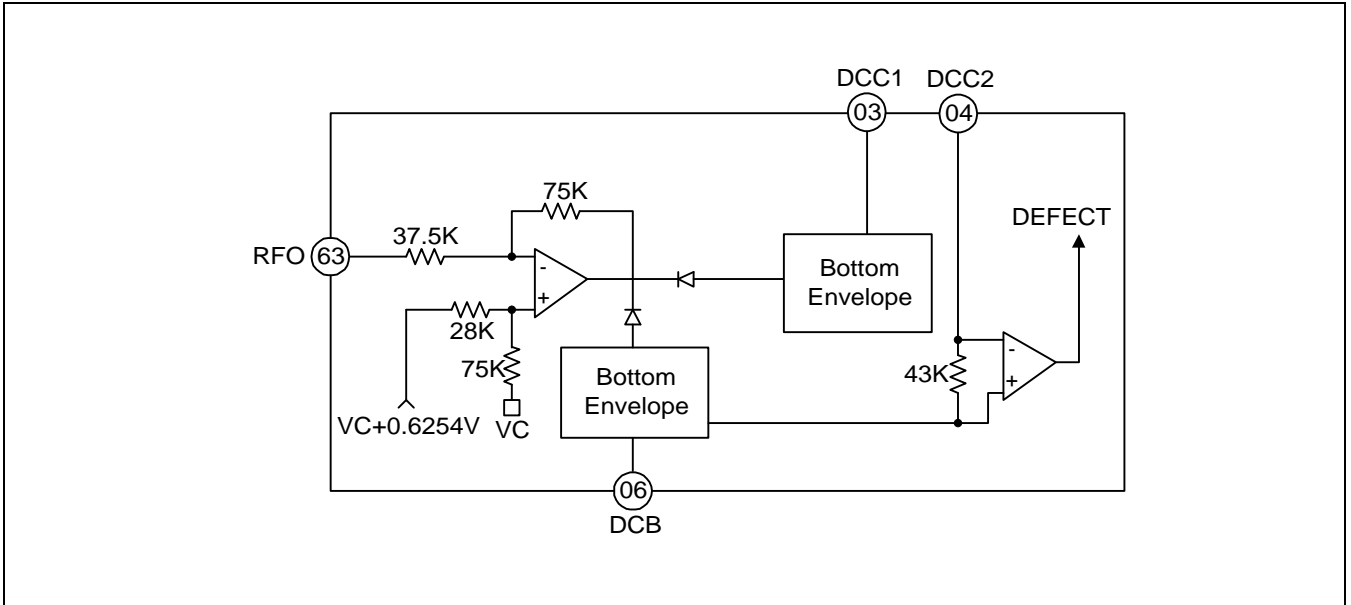
EFM Comparator

The EFM Comparator makes the Rf signal into a secondary signal. The Asymmetry generated by a fault during Disc production cannot be eliminated by only AC coupling, so control the standard voltage of the EFM Comparator to eliminate it.



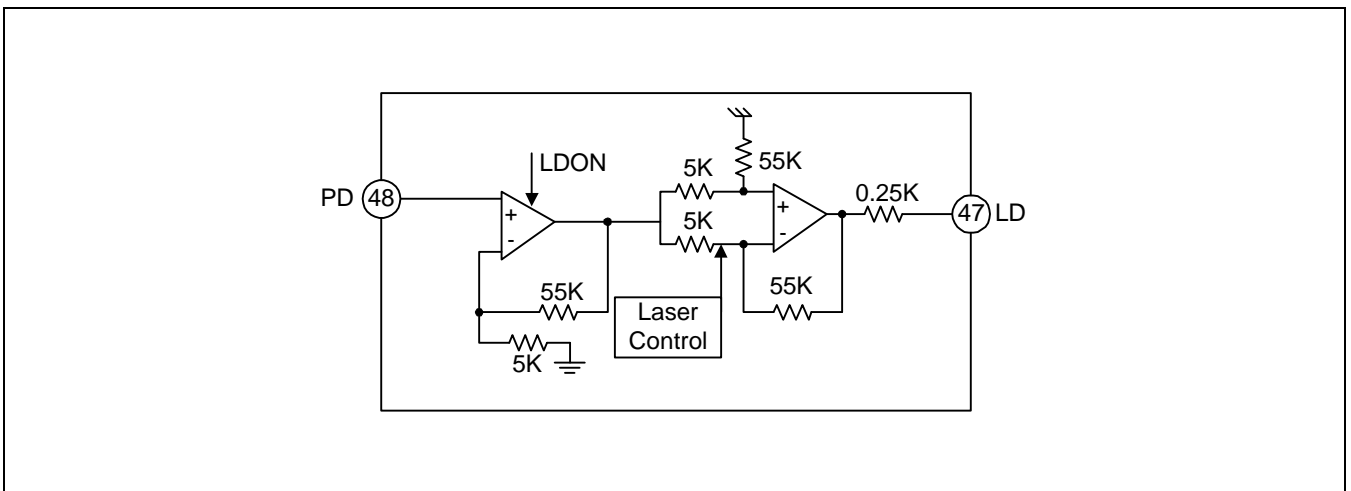
Defect Circuit

After RFO signal inversion, bottom hold is carried out using only 2. Except, the bottom hold of holds the coupling level just before the coupling. Differentiate this with the coupling, then level shift it. Compare the signals to either direction to generate the defect detect signal.



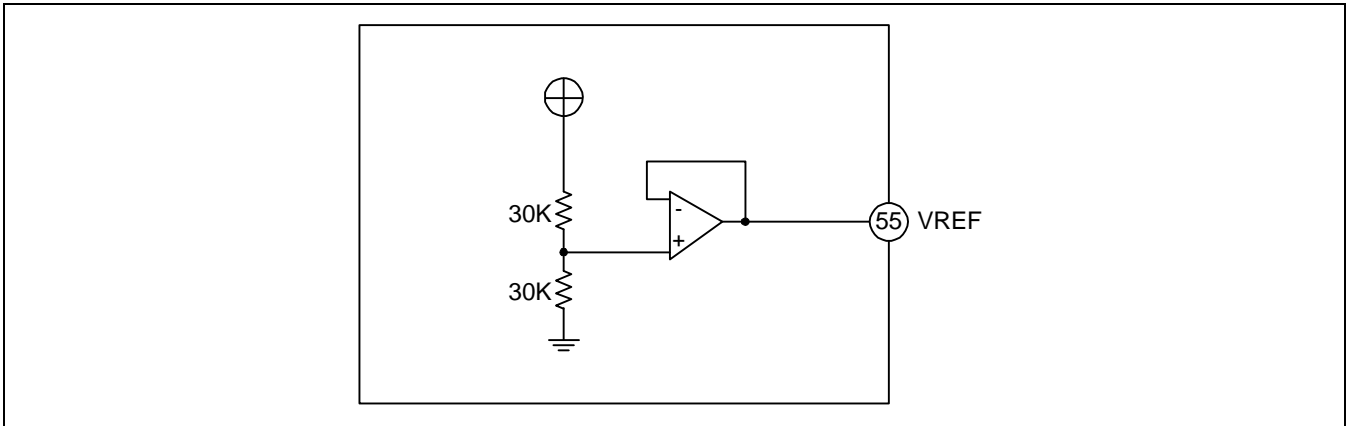
APC Circuit

When the laser diode operates in electrostatic field, the laser output temperature highly negative so the monitor photo diode controls the laser output at a fixed level. The laser control system is installed to absorb the deviation of the disc reflection. System controls the laser power using the tracking summing signal of the side beam to a fixed laser output.



Center Voltage Generation Circuit

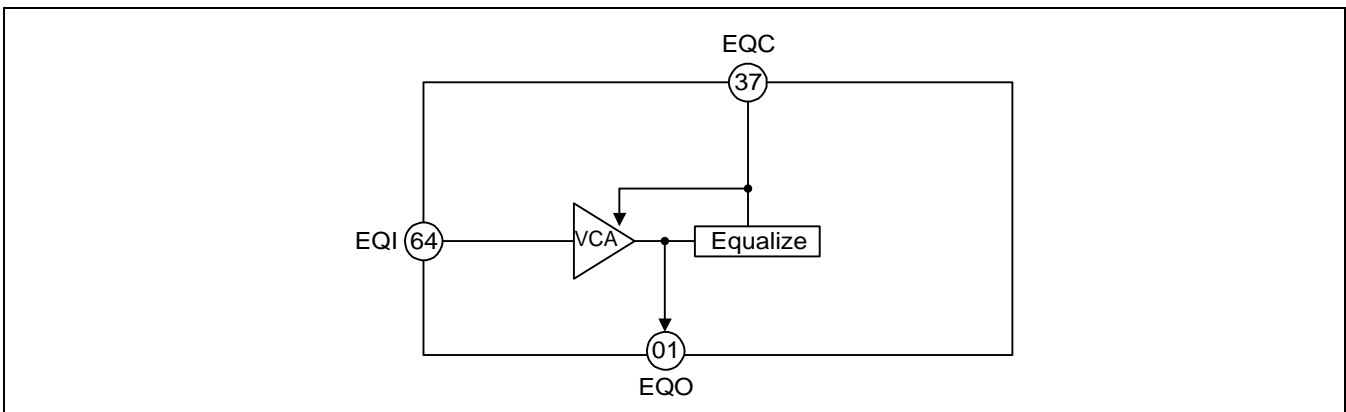
The center voltage is made by using the resistance divide.



RF Equalize Circuit

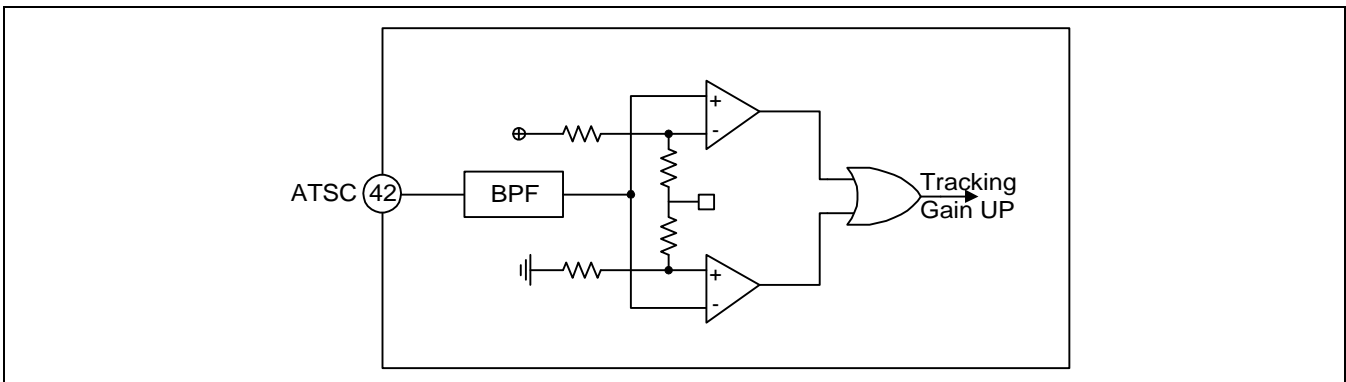
The AGC block, which maintains the RF peak to peak level, possess the 3T gain boost. It detects the RF envelop and compares it to the reference voltage to control the gain.

Receives the RF output to stabilize the RF level to 1Vpeak-peak, which is applied to the EFM slice input.



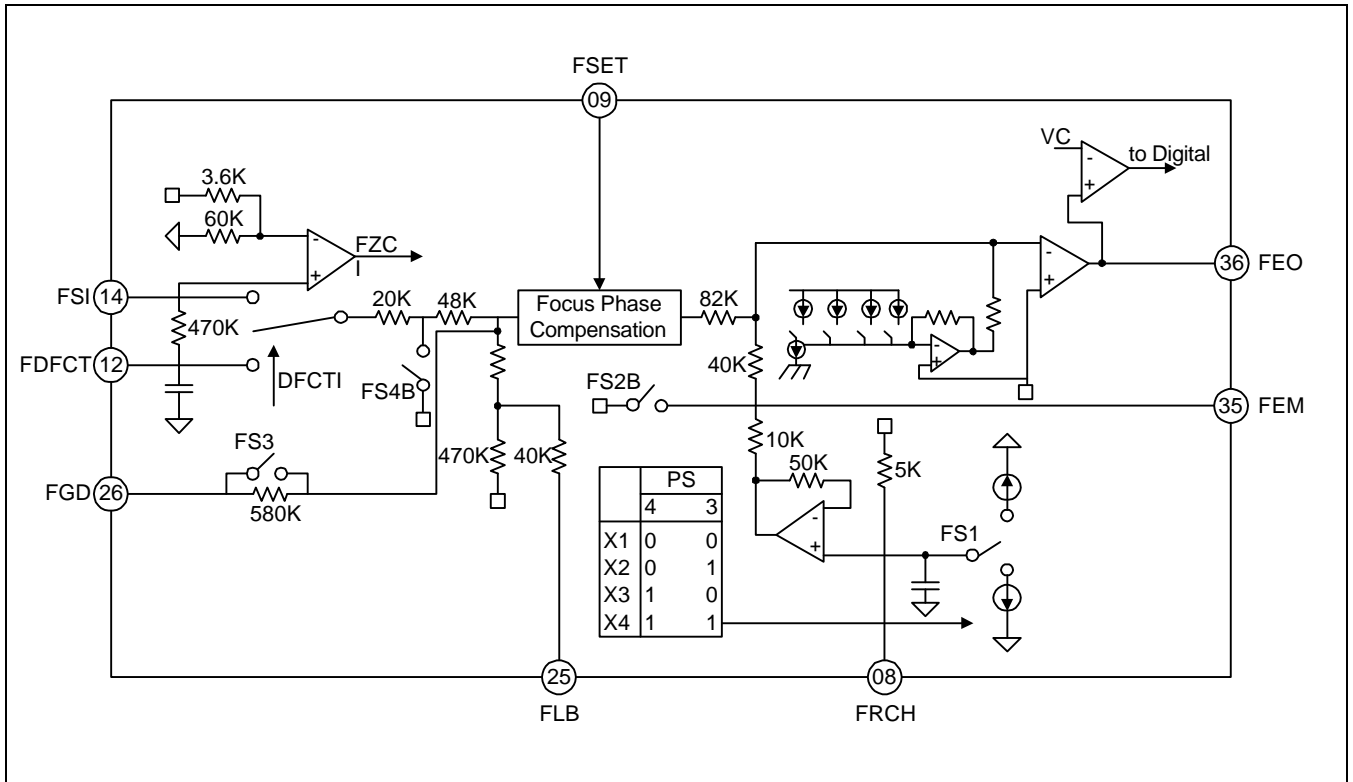
ATSC

The detection circuit for shock tracking gain up is composed of the window comparator.



Focus Servo

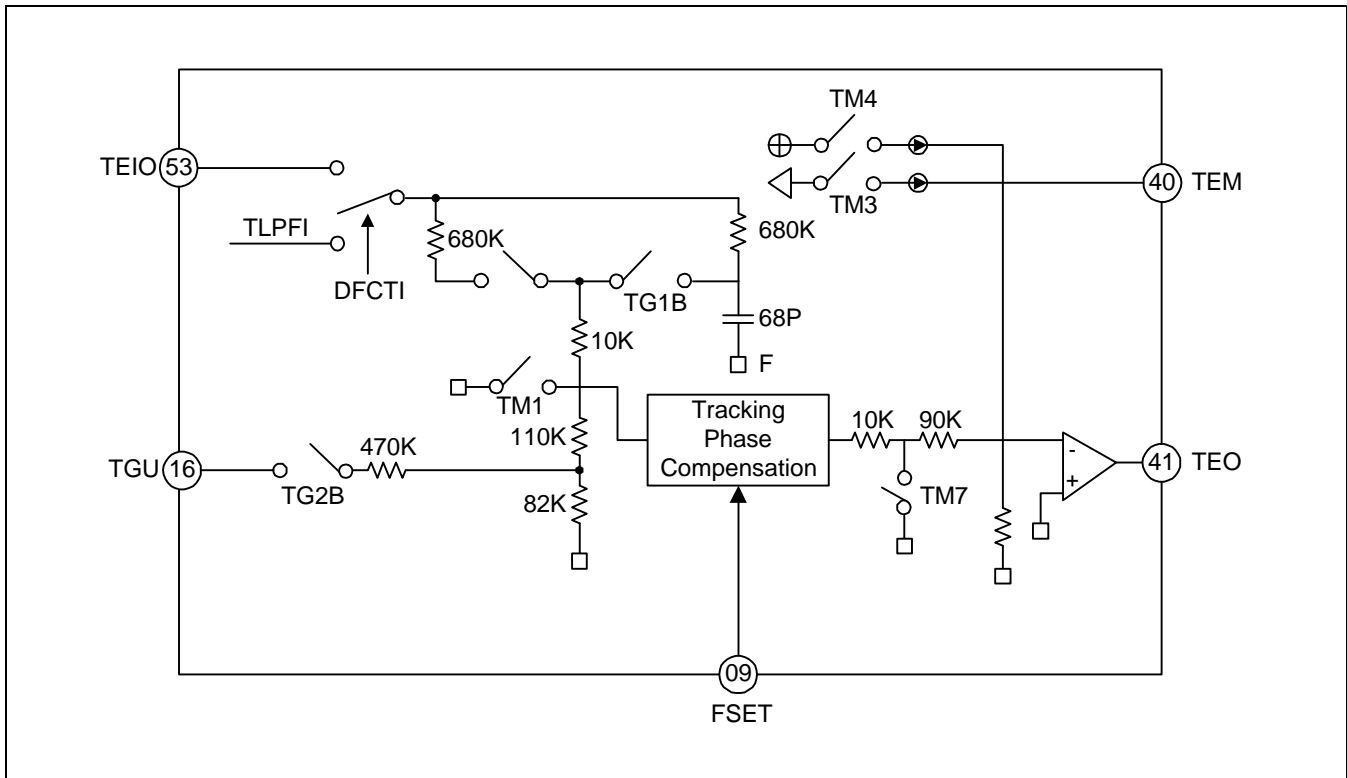
If the focus servo loop phase has been compensated, the focus servo loop mutts if the defect is. The focus error signal at this time is differentiated by the 0.1uF capacitor to be connected to the terminal and the 470kohms resistance and is output es through the servo loop. Therefore, the focus output is held to value before the defect error during defect. The FSET terminal changes the at which the focus loop compensation is at its maximum. If the resistance to VDDA connected to the terminal, the phase compensation frequency is changed 1.2kHz below, and GND connected to the terminal, the frequency is changed 1.2kHz above. During focus search, Fs4 turns on to cutoff the error signal and to output the focus search signal through the FEO. When the focus is on, FS2 turns on, and the focus error signal input through the FSI is output through the loop to the output pin.



Tracking Servo

The tracking servo phase compensates the tracking servo loop and differentiates the tracking error signal, after which it outputs the signal through the servo loop. TGU exchanges the tracking gain up/down time constant.

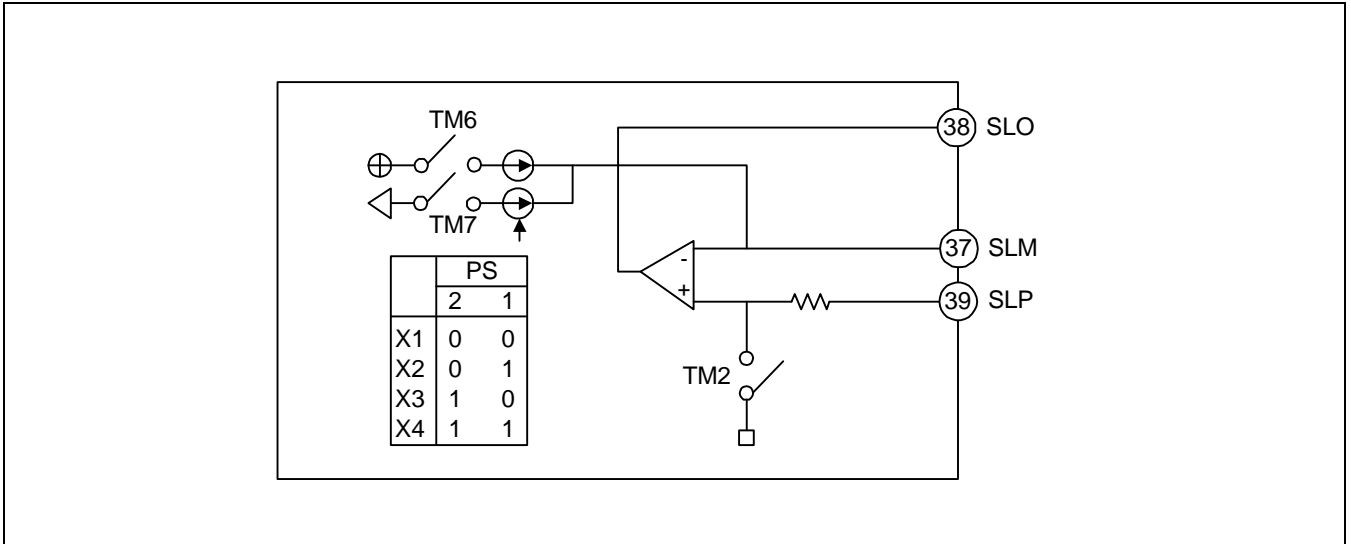
As in the focus loop, the phase compensation peak frequency is varied by the Fset terminal. If the resistance connected to the FSET terminal changes, the OP Amp dynamic range offset changes also.



The TM7 switch is a brake switch which turns the tracking loop on/off when the actuator is unstable after a jump. After the servo jumps 10 tracks, the servo circuit leaves the linear range and the actuator sometimes pursues the unstable track, preventing unnecessary jumps from undesired tracking errors. As the terminal which controls the tracking servo loop's high frequency gain, the Tgu terminal controls the desired frequency range of the gain through the external cap.

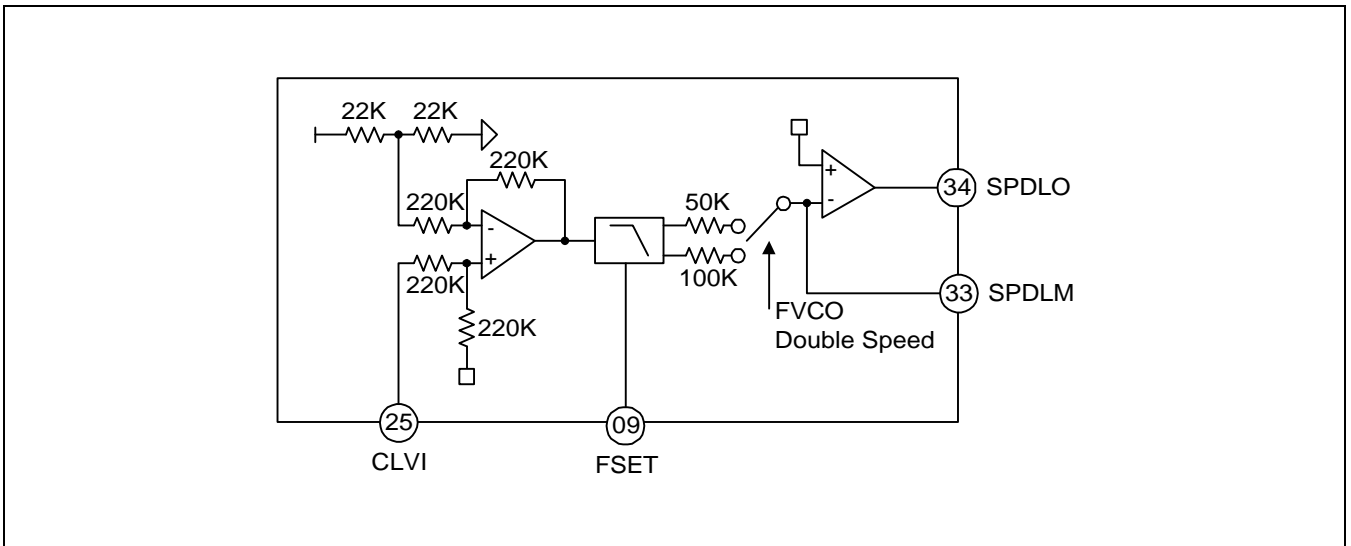
Sled Servo

This servo differentiates the tracking servo and moves the pick-up. It also outputs the sled kick voltage to make a track jump in the sled axis during track movement.



Spindle Servo & Low Pass Filter

The 200Hz LPF, composed of an external 20kohms resistance and 0.33uF cap, eliminates the high frequency carrier component.



Mirror & Cpeak Mute (use only for tracking mute)

Used against ABEX-725A, this circuit processes the tracking mutting when mirror is detected. (No recommend) the tracking mutting when EFM duty is above 22T after it is checked.

Mute does not operate in the following four cases.

- Micom tracking gain up command transmission (TG1, TG2 = 1)
- Anti-shock detection (ATSC)
- Lock falls to L
- Defect detection

TRCNT Output

TRCNT is output of mirror and TZC.

Mirror is the track movement detection output of the main beam; TZC is the track movement detection output of the side beam. TRCNT receives these two inputs to determine whether the present pick-up is moving from the inside to the outside or from the outside to the inside. It is used at \$17 tracking brake operation.

